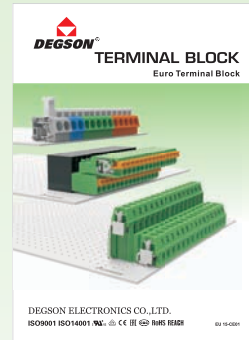
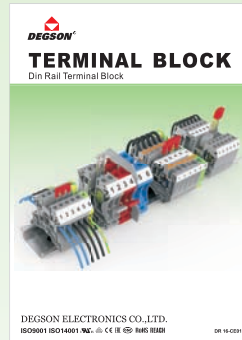


如需要以下目录，请联系我们。
If you need the following catalogues, please feel free to contact us.



European Terminal Blocks



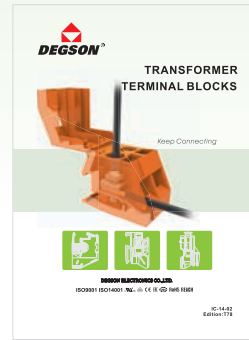
Din Rail Terminal Blocks



American Terminal Blocks



THR & SMD Terminal Blocks



Transformer Terminal Blocks



OEM/ODM



Circular Connectors



Heavy Duty Connectors



宁波(高正)高松电子有限公司
DEGSON ELECTRONICS CO.,LTD.

地址: 中国宁波慈溪逍林大道1585号

Add: No.1585, Xiaolin Road, Cixi,

Ningbo China

P.C.: 315321

Tel: +86-574-63504333

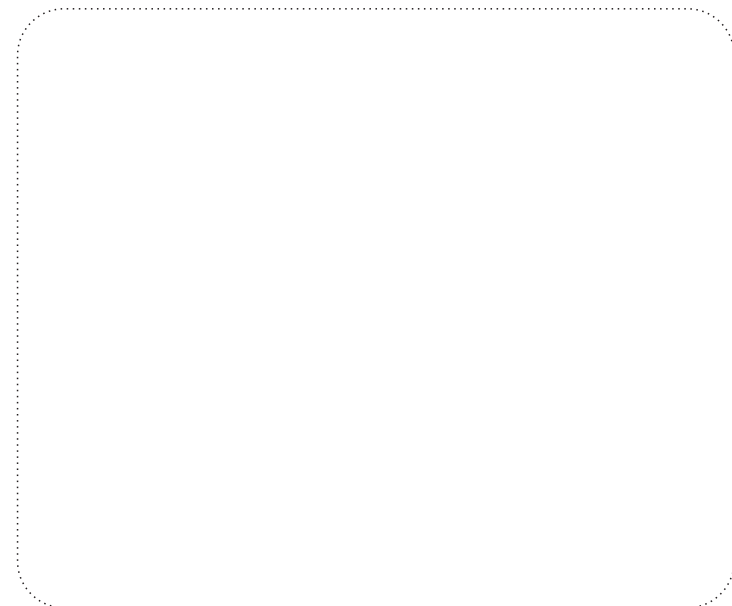
Fax: +86-574-63512345

E-mail: sale@degson.com

www.degson.com



DEGSON Official Distributor:

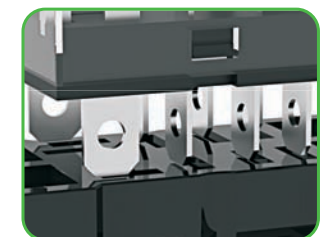


The catalog is only for reference, and the detail data must be based on our company's specification!



INDUSTRIAL POWER RELAY

General Catalogue



DEGSON ELECTRONICS CO.,LTD.

ISO9001 ISO14001 ISO80079-34

RoHS REACH



公司简介

DEGSON高正(高松)电子有限公司创建于1990年,是一家高新技术企业,是亚洲最大接线端子和工业电气连接领域专业制造商之一,是亚洲首家拥有美国UL和德国VDE认可专业实验室的企业。产品通过了UL、CE、RoHS REACH等认证。公司通过了ISO9001、ISO14001、ISO80079-34、IRIS管理体系认证。

DEGSON产品畅销中国、德国、英国、意大利、西班牙、波兰、俄罗斯、印度、土耳其、巴西、美国、日本、韩国、南非等70多个国家和地区,为全球工业自动化、仪器仪表、电梯、电力电气、轨道交通、新能源、照明、通讯、电源、安防、船舶等行业,提供优良的产品和服务。

DEGSON在全球建立了完善的销售网络,在德国和上海建立了营销中心,27年来DEGSON以务实诚信、责任创新、和谐发展、规则共赢的企业精神,更好地为客户提供更快捷、全面、专业的本地化服务。

Brief Introduction

Founded in 1990, DEGSON Electronics Co., Ltd. is one of the largest manufacturers of terminal blocks and industrial electrical connection products in Asia. As a high-tech enterprise, DEGSON owns the first UL and VDE authorized laboratory in Asia. DEGSON products have been approved by UL, CE, RoHS REACH. The company has been granted ISO9001, ISO14001, ISO80079-34 and IRIS management system certificates.

DEGSON products are very popular in China, Germany, UK, Italy, Spain, Poland, Russia, India, Turkey, Brazil, USA, Japan, Korea, South Africa, etc., totally more than 70 countries and areas. DEGSON provides excellent products and service for the customers all over the world, especially in Industrial Automation, Instrument, Elevator, Electric Power, Rail Transport, New Energy, Lighting, Telecommunication, Power Supply, Security, Ship-building and so on.

DEGSON fulfills the sales network all over the world and sets up marketing centers in Germany and Shanghai, China. Pragmatic, Sincerity, Responsibility, Innovation, Harmonious Development, Rule and Win-win. In accordance with these spirits of enterprise for 27 years, DEGSON will keep providing more speedy, comprehensive and professional local service to our customers.



目 录

CONTENTS



功率继电器系列 Power relay series

DRPE	01
DRPF	03
DRPM	05
DRPY	07
DRPL	09
DRPG	13
DRPT	15
DRPC	17
DRPB	19
DRPK	21
DRPD	23



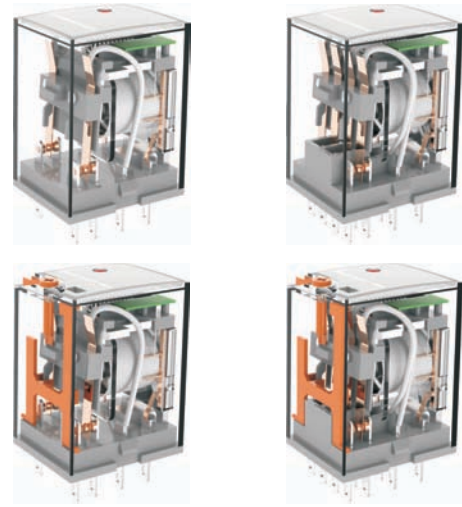
继电器插座系列 Relay socket series

DPYF	25
DPKF	27
DPTF	29
DSRT	31
DSRC	34
DPSK	35



模块、附件系列 Module, Accessories series

DMD	36
DND	36
附件	36



DRPE-2C

DRPE-4C



- 体积小、2C:10A, 4C:5A切换功率
 - 配有多种插座可供选择
 - 带测试按钮和机械动作指示窗
 - 环保产品 RoHS REACH
- Small size,2C:10A,4C:5A switching power
 - Multiple sockets optional
 - With test button and instruction window
 - Green product RoHS REACH

性能参数 Performance parameters

触点参数 Contact parameters

触点形式 Contact form	2C, 4C	
触点材料 Contact material	AgNi, AgSnO	
阻性负载 Resistive load	2C:10A/5A@240VAC/28VDC	4C:5A/3A@240VAC/28VDC
马达负载 Motor load	2C:1/3HP@240VAC	4C:1/6HP@240VAC
切换功率 Switch power	2C:2400VA/1200VA, 280W /140W	4C:1200VA/720VA, 140W/84W
接触电阻 (初始) Contact resistance(Initial)	<100mΩ	
电气寿命 (1s通/1s断) Electrical life(1s on/1s off)	>1x10 ⁵ (1800 Ops/h)	
机械寿命 (300次/分钟) Mechanical life(300cycles/min)	>1x10 ⁷ (18000 Ops/h)	

线圈参数 Coil parameters

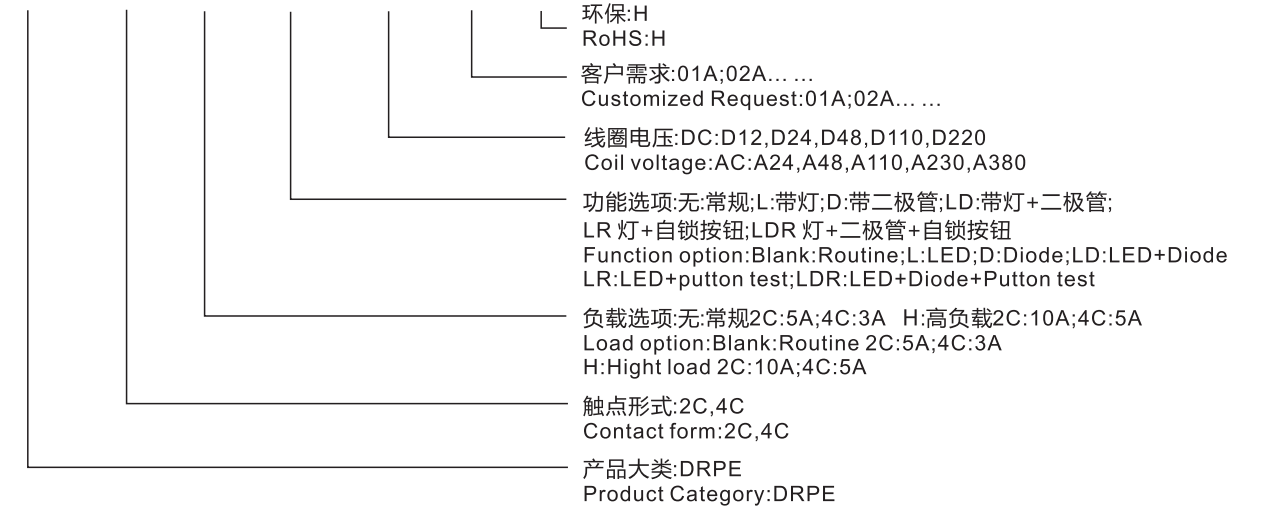
额定电压 Rated voltage (DC)	DC12V	DC24V	DC48V	DC110V	DC220V
额定电阻 Rated resistance(±10%)	160Ω	640Ω	2560Ω	11000Ω	53777Ω
额定电压 Rated voltage (AC)	AC24V	AC48V	AC110V	AC230V	AC380V
额定电阻 Rated resistance(±10%)	168Ω	672Ω	3529Ω	16500Ω	42116Ω
吸合电压 Operate voltage	DC:≤75%(Rated voltage); AC:≤80%(Rated voltage)				
释放电压 Release voltage	DC:≥10%(Rated voltage); AC:≥30%(Rated voltage)				
最大工作电压 Max input voltage	110%(Rated voltage)				
线圈功耗 Coil power	0.9W/1.2VA				
吸合时间 Operate time	<20ms				
释放时间 Release time	<20ms				

通用参数 Universal parameters

绝缘电阻 Insulation resistance	100MΩ(500VDC)
介电耐压 Dielectric voltage	
同极触点间 Between contacts	1000VAC/1min
异极触点间 Between contacts(different pole)	1000VAC/1min
线圈触点间 Between contacts and coil	1500VAC/1min
耐冲击 Shock withstanding	10G(Half sine wave pulse 11ms)
耐振动 Vibration withstanding	10-55Hz(Double amplitude 1.0mm)
环境温度 Ambient temperature	-25...+55°C
环境湿度 Ambient humidity	45%~75%RH
重量 Weight	35g
配套插座 Matching socket	2C:DPKF08A,DPYF08A series ; 4C:DPKF14A,DPYF14A series

型号订购 Model order

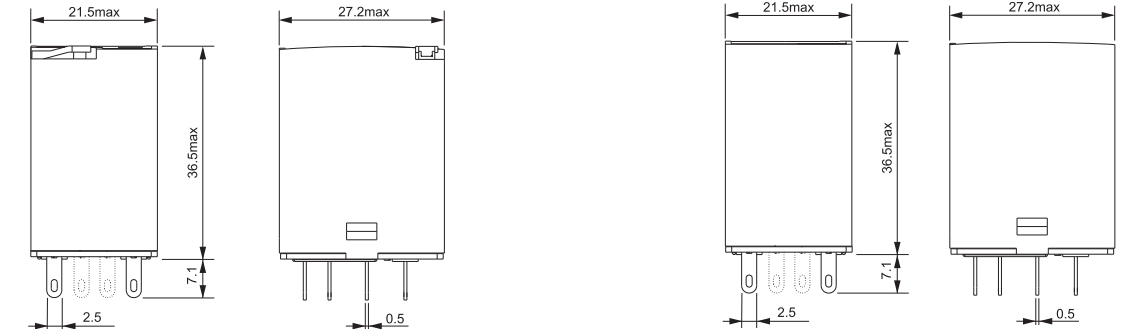
DRPE - 2C H -LR - D24 - XXA (H)



外形尺寸图 Overall dimensions

DRPE-2C/4C (Putton test)

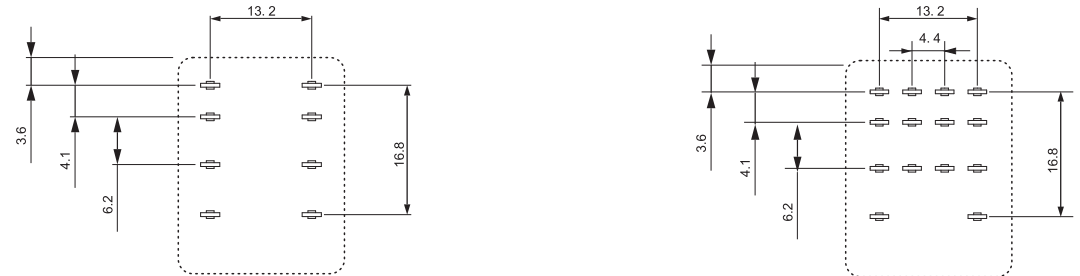
DRPE-2C/4C (Routine)



脚位图、接线图 Installation diagrams, Wiring diagrams

DRPE-2C

DRPE-4C



DRPE-2C

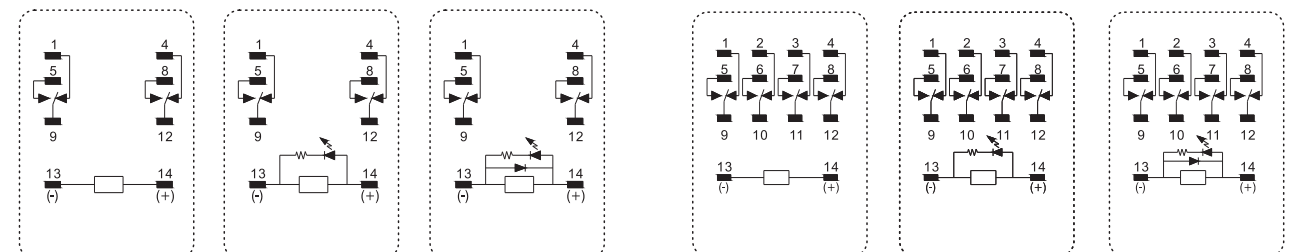
DRPE-2C-L

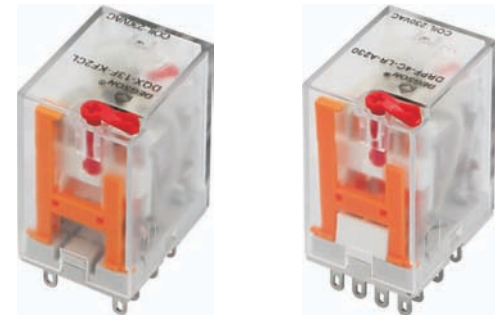
DRPE-2C-LD

DRPE-4C

DRPE-4C-L

DRPF-4C-LD





DRPF-2C

DRPF-4C



- 体积小、2C:10A, 4C:5A切换功率
- 配有多种插座可供选择
- 带测试按钮和机械动作指示窗
- 环保产品 RoHS REACH
- Small size,2C:10A,4C:5A switching power
- Multiple sockets optional
- With test button and instruction window
- Green product RoHS REACH

性能参数 Performance parameters

触点参数 Contact parameters

触点形式 Contact form	2C, 4C	
触点材料 Contact material	AgNi, AgSnO	
阻性负载 Resistive load	2C:10A@250VAC/30VDC	4C:5A@250VAC/30VDC
马达负载 Motor load	2C:1/3HP@240VAC	4C:1/6HP@240VAC
切换功率 Switch power	2C:2500VA, 300W	4C:1250VA, 150W
接触电阻 (初始) Contact resistance(Initial)	<50mΩ	
电气寿命 (1s通/1s断) Electrical life(1s on/1s off)	>1x10 ⁵ (800 Ops/h)	
机械寿命 (300次/分钟) Mechanical life(300cycles/min)	>1x10 ⁷ (18000 Ops/h)	

线圈参数 Coil parameters

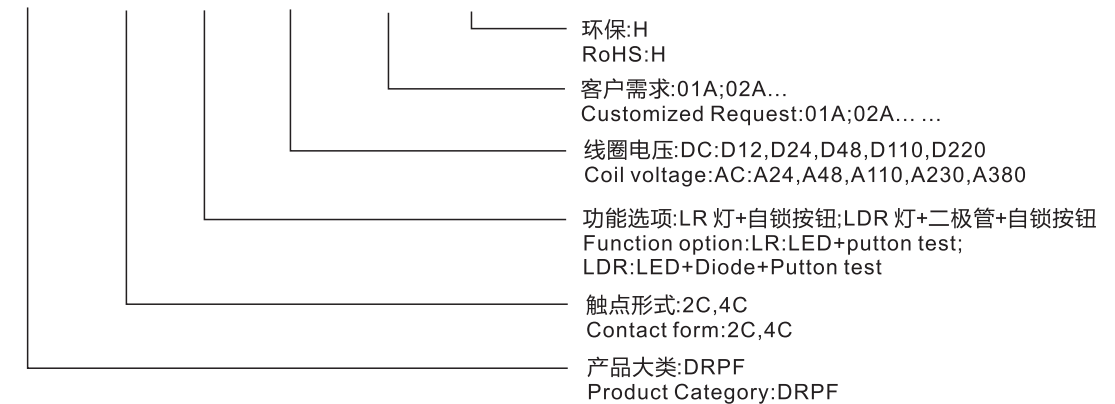
额定电压 Rated voltage (DC)	DC12V	DC24V	DC48V	DC110V	DC220V
额定电阻 Rated resistance(±10%)	160Ω	630Ω	2600Ω	11000Ω	42000Ω
额定电压 Rated voltage (AC)	AC24V	AC48V	AC110V	AC230V	AC380V
额定电阻 Rated resistance(±10%)	160Ω	600Ω	4430Ω	16500Ω	42000Ω
吸合电压 Operate voltage	DC:≤75%(Rated voltage);AC:≤80%(Rated voltage)				
释放电压 Release voltage	DC:≥10%(Rated voltage);AC:≥30%(Rated voltage)				
最大工作电压 Max input voltage	110%(Rated voltage)				
线圈功耗 Coil power	0.9W/1.2VA				
吸合时间 Operate time	<20ms				
释放时间 Release time	<20ms				

通用参数 Universal parameters

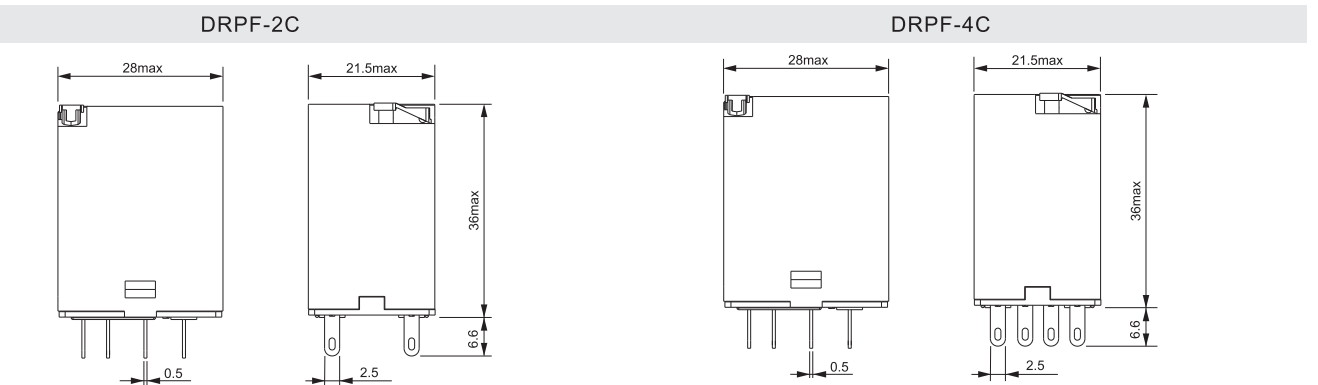
绝缘电阻 Insulation resistance	1000MΩ(500VDC)
介电耐压 Dielectric voltage	
同极触点间 Between contacts	1000VAC/1min
异极触点间 Between contacts(different pole)	2000VAC/1min
线圈触点间 Between contacts and coil	2000VAC/1min
耐冲击 Shock withstanding	10G(Half sine wave pulse 11ms)
耐振动 Vibration withstanding	10-55Hz(Double amplitude 1.0mm)
环境温度 Ambient temperature	-55...+70°C
环境湿度 Ambient humidity	35%~85%RH
重量 Weight	35g
配套插座 Matching socket	2C:DPKF08A series ; 4C:DPKF14A series

型号订购 Model order

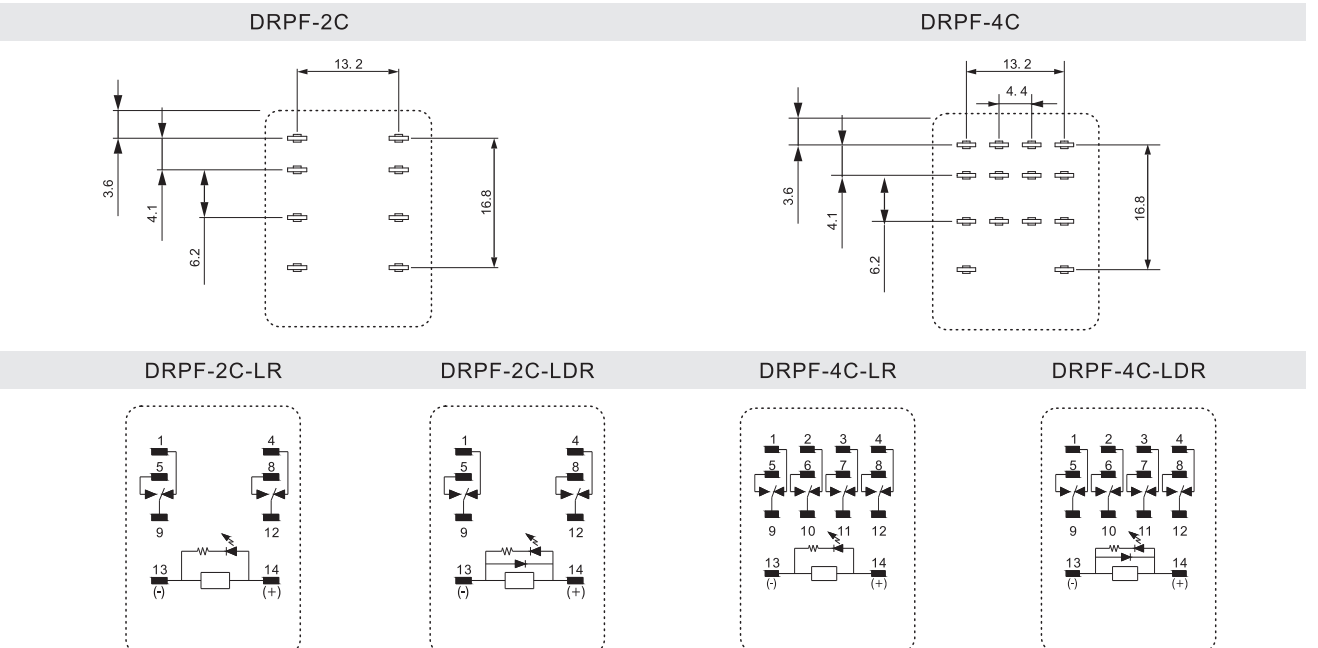
DRPF - 2C -LR - D24 - XXA (H)

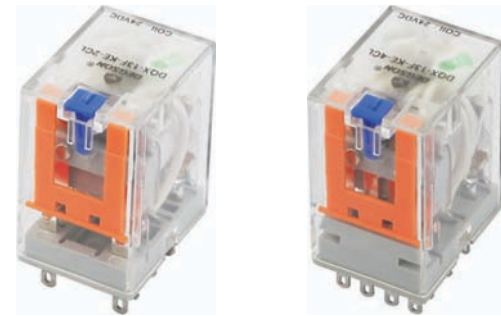


外形尺寸图 Overall dimensions



脚位图、接线图 Installation diagrams, Wiring diagrams





DRPM-2C

DRPM-4C



- 体积小、2C:5A, 4C:3A切换功率
- 配有多种插座可供选择
- 带测试按钮和机械动作指示窗
- 环保产品 RoHS REACH
- Small size, 2C:5A, 4C:3A switching power
- Multiple sockets optional
- With test button and instruction window
- Green product RoHS REACH

性能参数 Performance parameters

触点参数 Contact parameters

触点形式 Contact form	2C, 4C	
触点材料 Contact material	AgNi, AgSnO	
阻性负载 Resistive load	2C: 5A@250VAC/30VDC	4C: 3A@250VAC/30VDC
马达负载 Motor load	1/6HP@240VAC	
切换功率 Switch power	2C: 1250VA, 150W	4C: 750VA, 90W
接触电阻 (初始) Contact resistance (Initial)	<50mΩ	
电气寿命 (1s通/1s断) Electrical life (1s on/1s off)	>1x10 ⁵ (1800 Ops/h)	
机械寿命 (300次/分钟) Mechanical life (300 cycles/min)	>1x10 ⁷ (18000 Ops/h)	

线圈参数 Coil parameters

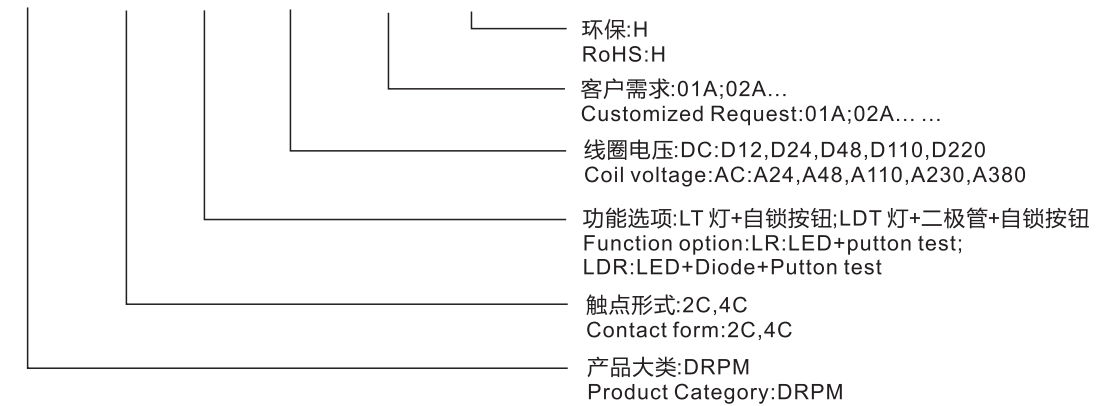
额定电压 Rated voltage (DC)	DC12V	DC24V	DC48V	DC110V	DC220V
额定电阻 Rated resistance (±10%)	160Ω	630Ω	2600Ω	11000Ω	42000Ω
额定电压 Rated voltage (AC)	AC24V	AC48V	AC110V	AC230V	AC380V
额定电阻 Rated resistance (±10%)	160Ω	600Ω	4430Ω	16500Ω	42000Ω
吸合电压 Operate voltage	DC: ≤75% (Rated voltage); AC: ≤80% (Rated voltage)				
释放电压 Release voltage	DC: ≥10% (Rated voltage); AC: ≥30% (Rated voltage)				
最大工作电压 Max input voltage	110% (Rated voltage)				
线圈功耗 Coil power	0.9W/1.2VA				
吸合时间 Operate time	<20ms				
释放时间 Release time	<20ms				

通用参数 Universal parameters

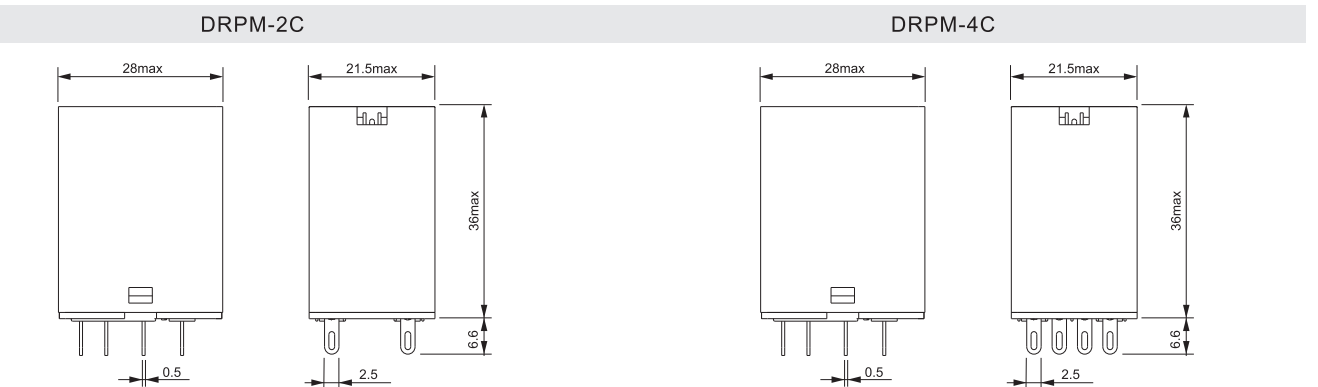
绝缘电阻 Insulation resistance	500MΩ (500VDC)
介电耐压 Dielectric voltage	
同极触点间 Between contacts	1000VAC/1min
异极触点间 Between contacts (different pole)	2000VAC/1min
线圈触点间 Between contacts and coil	2000VAC/1min
耐冲击 Shock withstanding	10G (Half sine wave pulse 11ms)
耐振动 Vibration withstanding	10-55Hz (Double amplitude 1.0mm)
环境温度 Ambient temperature	-55...+70°C
环境湿度 Ambient humidity	35%~85%RH
重量 Weight	35g
配套插座 Matching socket	2C: DPYF08A series; 4C: DPYF14A series

型号订购 Model order

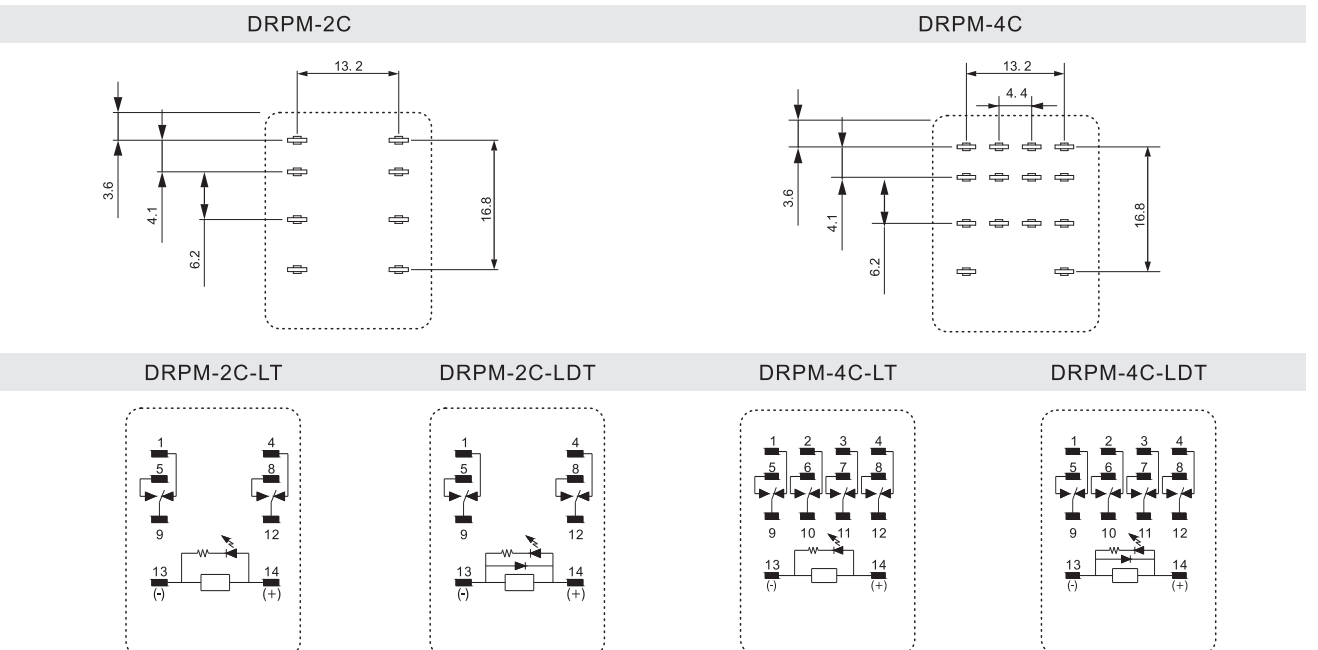
DRPM - 2C - LT - D24 - XXA (H)



外形尺寸图 Overall dimensions



脚位图、接线图 Installation diagrams, Wiring diagrams





DRPY-2C



DRPY-4C



- 体积小、2C:5A, 4C:3A切换功率
- 配有多种插座可供选择
- 可带灯、带二极管
- 环保产品 RoHS REACH
- Small size, 2C:5A, 4C:3A switching power
- Multiple sockets optional
- LED or diode is optional
- Green product RoHS REACH

性能参数 Performance parameters

触点参数 Contact parameters

触点形式 Contact form	2C, 4C	
触点材料 Contact material	AgNi, AgSnO	
阻性负载 Resistive load	2C:5A@240VAC/28VDC	4C:3A@240VAC/28VDC
马达负载 Motor load	1/6HP@240VAC	
切换功率 Switch power	2C:1200VA, 140W	4C:720VA, 84W
接触电阻 (初始) Contact resistance(Initial)	<50mΩ	
电气寿命 (1s通/1s断) Electrical life(1s on/1s off)	>1x10 ⁵ (1800 Ops/h)	
机械寿命 (300次/分钟) Mechanical life(300cycles/min)	>1x10 ⁷ (18000 Ops/h)	

线圈参数 Coil parameters

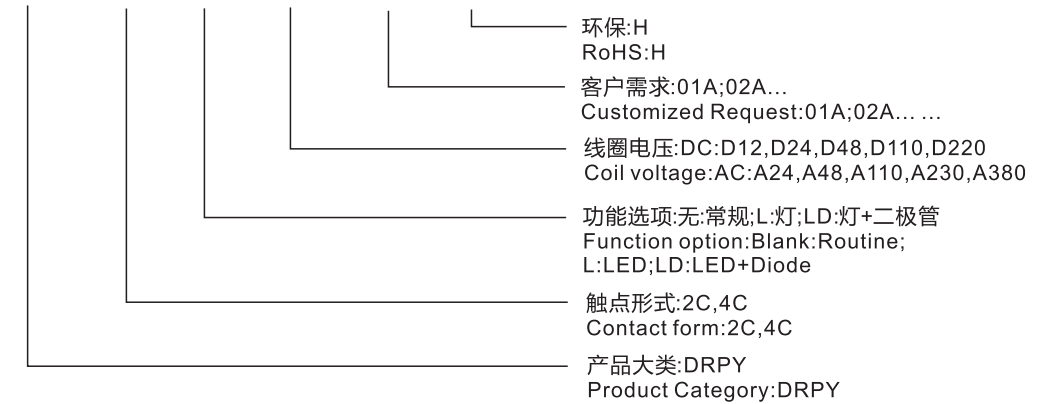
额定电压 Rated voltage (DC)	DC12V	DC24V	DC48V	DC110V	DC220V
额定电阻 Rated resistance(±10%)	160Ω	640Ω	2560Ω	11000Ω	53777Ω
额定电压 Rated voltage (AC)	AC24V	AC48V	AC110V	AC230V	AC380V
额定电阻 Rated resistance(±10%)	168Ω	672Ω	3529Ω	14116Ω	42116Ω
吸合电压 Operate voltage	DC:≤75%(Rated voltage); AC:≤80%(Rated voltage)				
释放电压 Release voltage	DC:≥10%(Rated voltage); AC:≥30%(Rated voltage)				
最大工作电压 Max input voltage	110%(Rated voltage)				
线圈功耗 Coil power	0.9W/1.2VA				
吸合时间 Operate time	<20ms				
释放时间 Release time	<20ms				

通用参数 Universal parameters

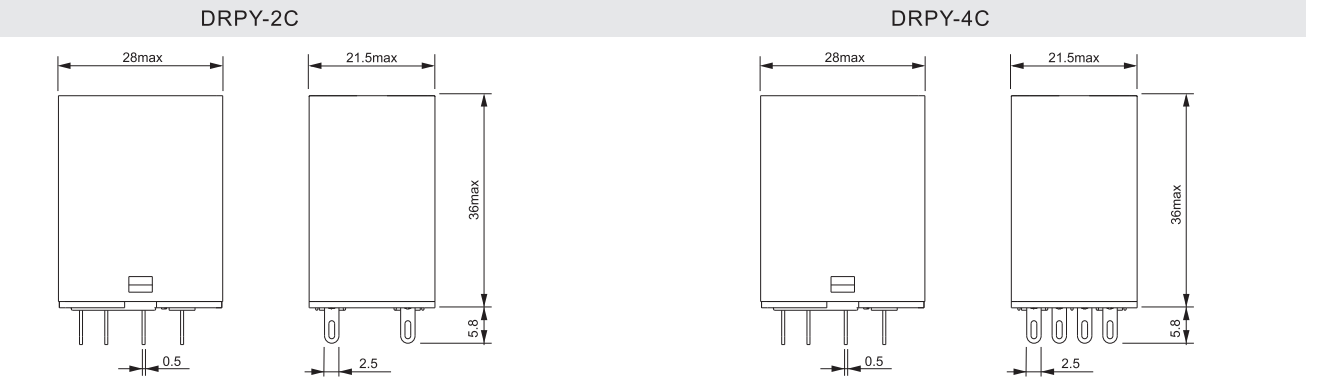
绝缘电阻 Insulation resistance	100MΩ(500VDC)
介电耐压 Dielectric voltage	
同极触点间 Between contacts	1000VAC/1min
异极触点间 Between contacts(different pole)	1000VAC/1min
线圈触点间 Between contacts and coil	1500VAC/1min
耐冲击 Shock withstanding	10G(Half sine wave pulse 11ms)
耐振动 Vibration withstanding	10-55Hz(Double amplitude 1.0mm)
环境温度 Ambient temperature	-25...+55°C
环境湿度 Ambient humidity	35%~85%RH
重量 Weight	35g
配套插座 Matching socket	2C:DPYF08A series ; 4C:DPYF14A series

型号订购 Model order

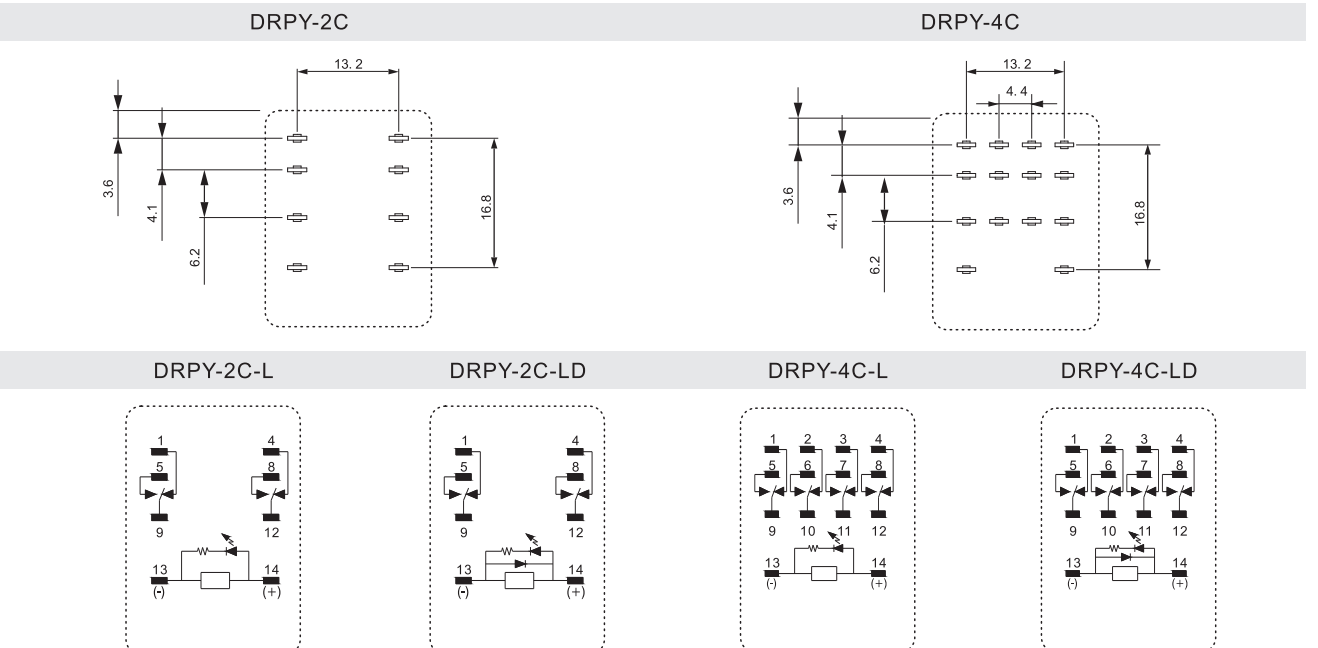
DRPY-2C-L-D24-XXA(H)



外形尺寸图 Overall dimensions



脚位图、接线图 Installation diagrams, Wiring diagrams





DRPL-1C

DRPL-2C



- 体积小、1C:16A, 2C:10A切换功率
- 配有多种插座可供选择
- 多种规格, 可配指示灯
- 环保产品 RoHS REACH
- Small size, 1C:16A, 2C:10A switching power
- Multiple sockets optional
- Various specification, LED is optional
- Green product RoHS REACH

性能参数 Performance parameters

触点参数 Contact parameters

触点形式 Contact form	1C, 2C	
触点材料 Contact material	AgNi, AgSnO	
阻性负载 Resistive load	1C:16A@250VAC/30VDC	2C:10A@250VAC/30VDC
马达负载 Motor load	1C:1HP@240VAC	2C:1/3HP@240VAC
切换功率 Switch power	1C:4000VA, 480W	2C:2500VA, 300W
接触电阻 (初始) Contact resistance(Initial)	<50mΩ	
电气寿命 (1s通/1s断) Electrical life(1s on/1s off)	>1x10 ⁵ (1800 Ops/h)	
机械寿命 (300次/分钟) Mechanical life(300cycles/min)	>1x10 ⁷ (18000 Ops/h)	

线圈参数 Coil parameters

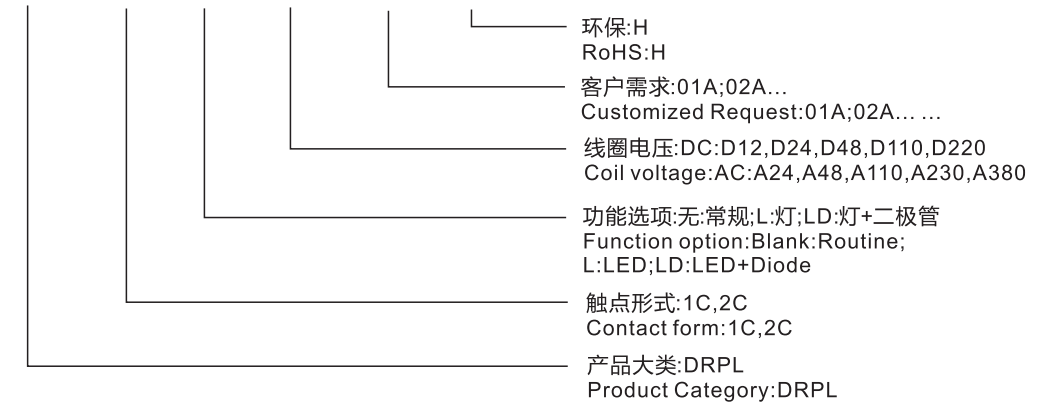
额定电压 Rated voltage (DC)	DC12V	DC24V	DC48V	DC110V	DC220V
额定电阻 Rated resistance(±10%)	160Ω	630Ω	2600Ω	11000Ω	42000Ω
额定电压 Rated voltage (AC)	AC24V	AC48V	AC110V	AC230V	AC380V
额定电阻 Rated resistance(±10%)	160Ω	600Ω	4430Ω	16500Ω	42000Ω
吸合电压 Operate voltage	DC:≤75%(Rated voltage); AC:≤80%(Rated voltage)				
释放电压 Release voltage	DC:≥10%(Rated voltage); AC:≥30%(Rated voltage)				
最大工作电压 Max input voltage	110%(Rated voltage)				
线圈功耗 Coil power	0.9W/1.2VA				
吸合时间 Operate time	<20ms				
释放时间 Release time	<20ms				

通用参数 Universal parameters

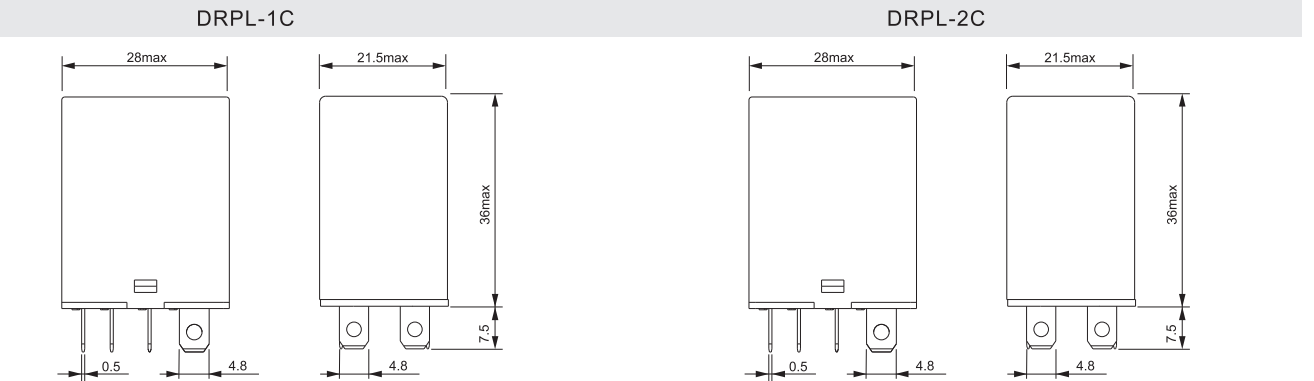
绝缘电阻 Insulation resistance	500MΩ(500VDC)
介电耐压 Dielectric voltage	
同极触点间 Between contacts	1000VAC/1min
异极触点间 Between contacts(different pole)	2000VAC/1min
线圈触点间 Between contacts and coil	2000VAC/1min
耐冲击 Shock withstanding	10G(Half sine wave pulse 11ms)
耐振动 Vibration withstanding	10-55Hz(Double amplitude 1.0mm)
环境温度 Ambient temperature	-25...+55°C
环境湿度 Ambient humidity	35%~85%RH
重量 Weight	35g
配套插座 Matching socket	DPTF08A series

型号订购 Model order

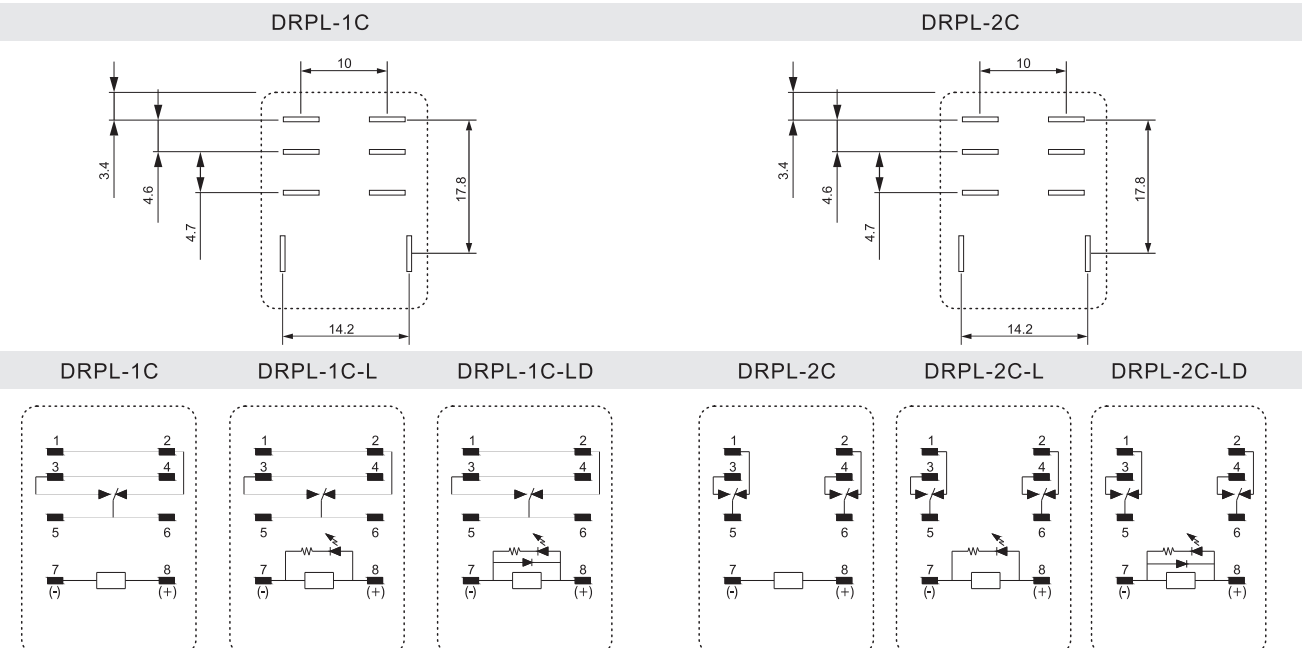
DRPL-2C-L-D24-XXA(H)



外形尺寸图 Overall dimensions



脚位图、接线图 Installation diagrams, Wiring diagrams





DRPL-3C



DRPL-4C



- 体积小、10A切换功率
- 配有多种插座可供选择
- 多种规格，可配指示灯
- 环保产品 RoHS REACH
- Small size, 10A switching power
- Multiple sockets optional
- Various specification, LED is optional
- Green product RoHS REACH

性能参数 Performance parameters

触点参数 Contact parameters

触点形式 Contact form	3C, 4C
触点材料 Contact material	AgNi, AgSnO
阻性负载 Resistive load	10A@250VAC/30VDC
马达负载 Motor load	1/6HP@240VAC
切换功率 Switch power	2500VA, 300W
接触电阻 (初始) Contact resistance (Initial)	<50mΩ
电气寿命 (1s通/1s断) Electrical life (1s on/1s off)	>1x10 ⁵ (1800 Ops/h)
机械寿命 (300次/分钟) Mechanical life (300 cycles/min)	>1x10 ⁷ (18000 Ops/h)

线圈参数 Coil parameters

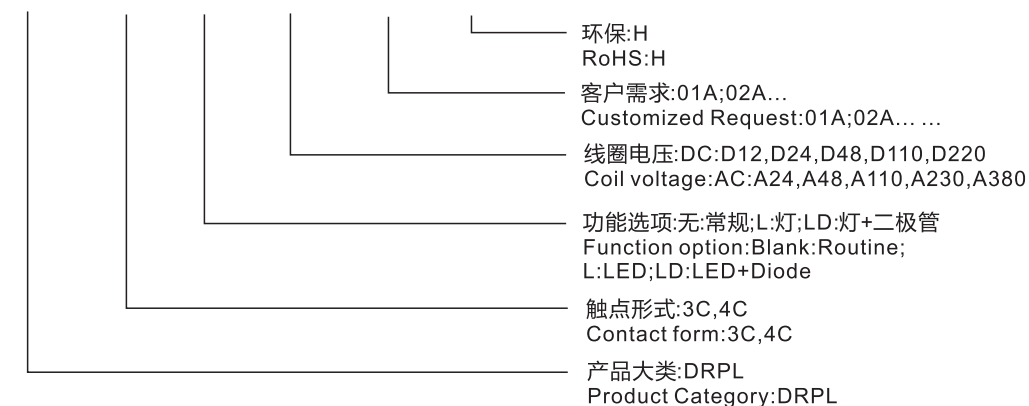
额定电压 Rated voltage (DC)	DC12V	DC24V	DC48V	DC110V	DC220V
额定电阻 Rated resistance (±10%)	3C: 100Ω	400Ω	1600Ω	8400Ω	33000Ω
	4C: 96Ω	360Ω	1540Ω	6800Ω	29000Ω
额定电压 Rated voltage (AC)	AC24V	AC48V	AC110V	AC230V	AC380V
额定电阻 Rated resistance (±10%)	3C: 102Ω	410Ω	2500Ω	10000Ω	26000Ω
	4C: 80Ω	320Ω	1680Ω	8000Ω	20000Ω
吸合电压 Operate voltage	DC: ≤75% (Rated voltage); AC: ≤80% (Rated voltage)				
释放电压 Release voltage	DC: ≥10% (Rated voltage); AC: ≥30% (Rated voltage)				
最大工作电压 Max input voltage	110% (Rated voltage)				
线圈功耗 Coil power	3C: 1.4W/2VA ; 4C: 1.5W/2.5VA				
吸合时间 Operate time	<20ms				
释放时间 Release time	<20ms				

通用参数 Universal parameters

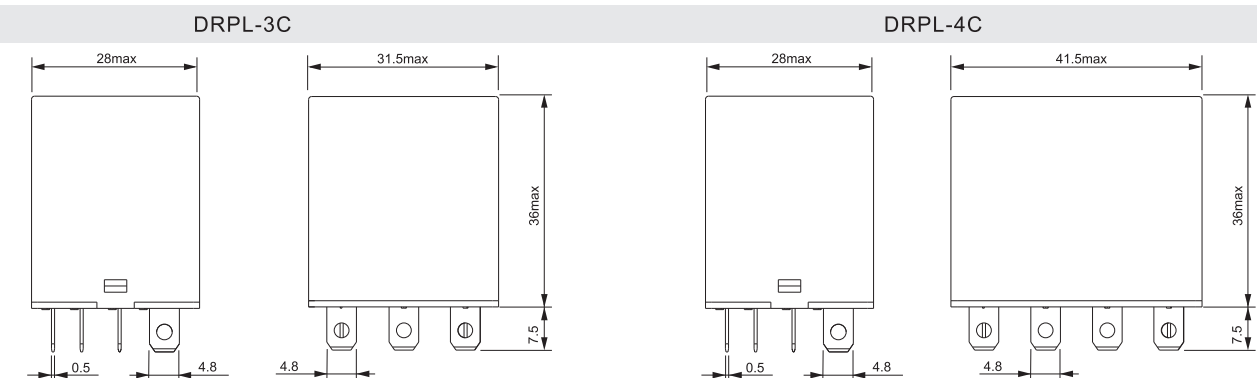
绝缘电阻 Insulation resistance	500MΩ (500VDC)
介电耐压 Dielectric voltage	
同极触点间 Between contacts	1000VAC/1min
异极触点间 Between contacts (different pole)	2000VAC/1min
线圈触点间 Between contacts and coil	2000VAC/1min
耐冲击 Shock withstanding	10G (Half sine wave pulse 11ms)
耐振动 Vibration withstanding	10-55Hz (Double amplitude 1.0mm)
环境温度 Ambient temperature	-25...+55°C
环境湿度 Ambient humidity	35%~85%RH
重量 Weight	35g
配套插座 Matching socket	3C: DPTF11A series ; 4C: DPTF14A series

型号订购 Model order

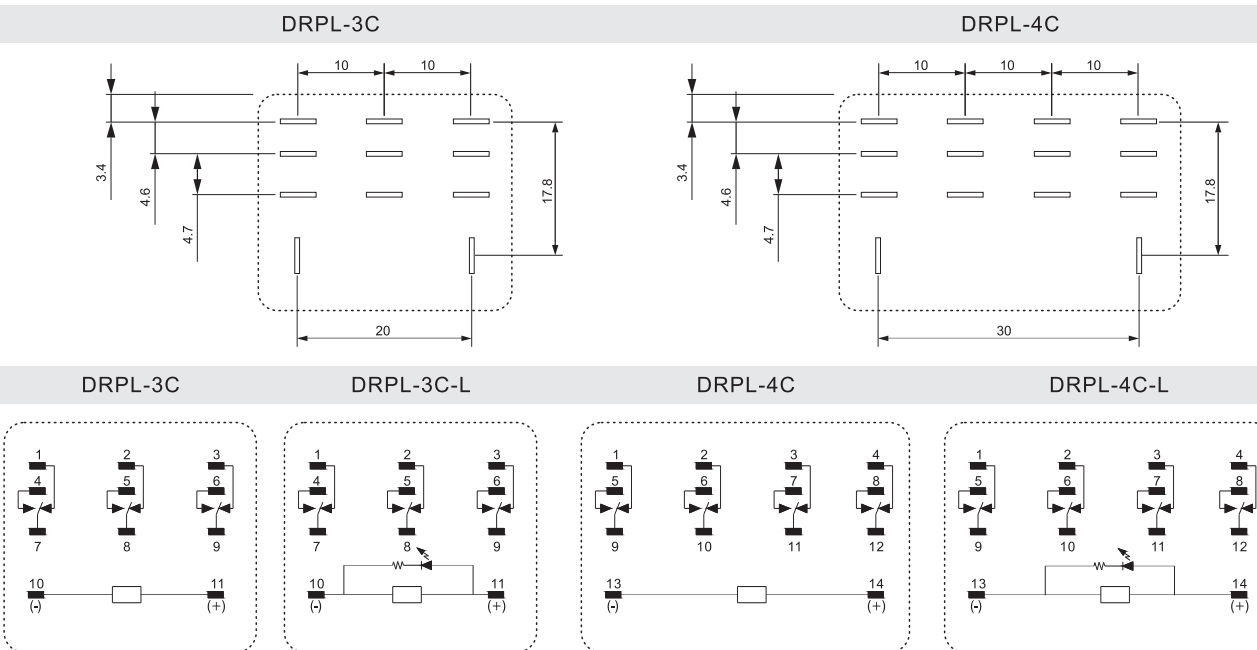
DRPL-4C-L-D24-XXA(H)



外形尺寸图 Overall dimensions



脚位图、接线图 Installation diagrams, Wiring diagrams





DRPG-BU

DRPG-BD



- 1A:30A , 2A:25A切换功率
- 负载电压大
- 环保产品 RoHS REACH
- 1A:30A,2A:25A switching power
- Large load voltage
- Green product RoHS REACH

性能参数 Performance parameters

触点参数 Contact parameters

触点形式 Contact form	1A,2A
触点材料 Contact material	AgNi
阻性负载 Resistive load	1A:30A@277VAC 2A:25A@277VAC
马达负载 Motor load	1.5HP@120VAC ; 3HP@240VAC
切换功率 Switch power	1A:8310VA 2A:6925VA
接触电阻 (初始) Contact resistance(Initial)	<50mΩ
电气寿命 (1s通/1s断) Electrical life(1s on/1s off)	>1x10 ⁵ (1800 Ops/h)
机械寿命 (300次/分钟) Mechanical life(300cycles/min)	>1x10 ⁷ (18000 Ops/h)

线圈参数 Coil parameters

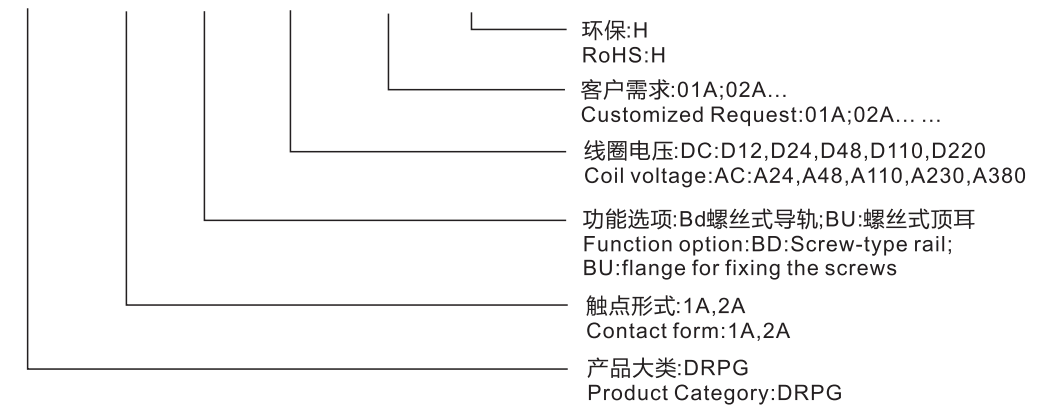
额定电压 Rated voltage (DC)	DC12V	DC24V	DC48V	DC110V	DC220V
额定电阻 Rated resistance(±10%)	75Ω	303Ω	1220Ω	6360Ω	25474Ω
额定电压 Rated voltage (AC)	AC24V	AC48V	AC110V	AC230V	AC380V
额定电阻 Rated resistance(±10%)	275Ω	1100Ω	5200Ω	21000Ω	62650Ω
吸合电压 Operate voltage	≤75%(Rated voltage)				
释放电压 Release voltage	≥15%(Rated voltage)				
最大工作电压 Max input voltage	110%(Rated voltage)				
线圈功耗 Coil power	1.9W/2.5VA				
吸合时间 Operate time	<30ms				
释放时间 Release time	<30ms				

通用参数 Universal parameters

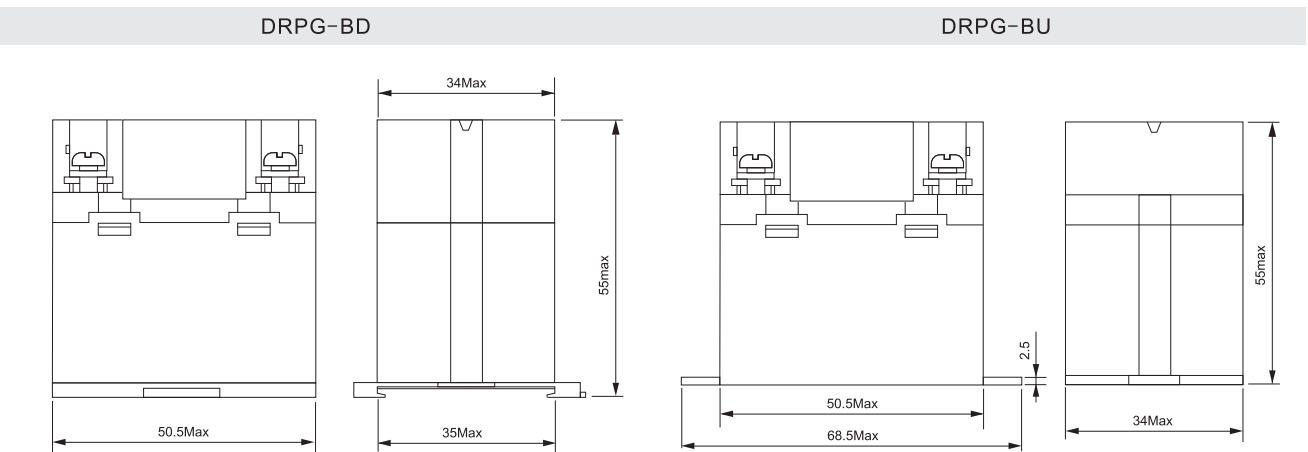
绝缘电阻 Insulation resistance	1000MΩ(500VDC)
介电耐压 Dielectric voltage	
同极触点间 Between contacts	2000VAC/1min
异极触点间 Between contacts(different pole)	2000VAC/1min
线圈触点间 Between contacts and coil	4000VAC/1min
耐冲击 Shock withstanding	10G(Half sine wave pulse 11ms)
耐振动 Vibration withstanding	10-55Hz(Double amplitude 1.0mm)
环境温度 Ambient temperature	-25...+55°C
环境湿度 Ambient humidity	35%~85%RH
重量 Weight	120g
配套插座 Matching socket	

型号订购 Model order

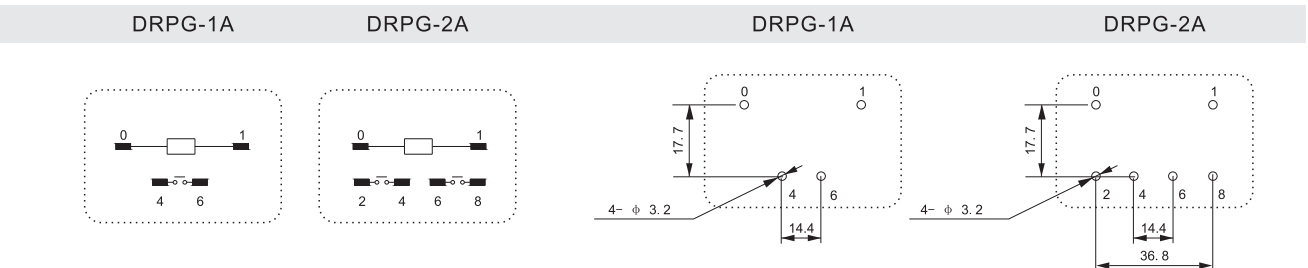
DRPG - 2A - BD - D24 - XXA (H)



外形尺寸图 Overall dimensions



脚位图、接线图 Installation diagrams, Wiring diagrams





DRPT-1C

DRPT-2C



- 体积小、1C:10A, 2C:5A切换功率
- 配有多种插座可供选择
- 带指示灯
- 环保产品 RoHS REACH
- Small size, 1C:10A, 2C:5A switching power
- Multiple sockets optional
- With LED
- Green product RoHS REACH

性能参数 Performance parameters

触点参数 Contact parameters

触点形式 Contact form	1C, 2C	
触点材料 Contact material	AgNi, AgSnO	
阻性负载 Resistive load	1C: 10A@250VAC/30VDC	2C: 5A@250VAC/30VDC
马达负载 Motor load	1C: 1/3HP@240VAC	2C: 1/6HP@240VAC
切换功率 Switch power	1C: 2500VA, 300W	2C: 1250VA, 150W
接触电阻 (初始) Contact resistance (Initial)	<50mΩ	
电气寿命 (1s通/1s断) Electrical life (1s on/1s off)	>1x10 ⁵ (1800 Ops/h)	
机械寿命 (300次/分钟) Mechanical life (300 cycles/min)	>1x10 ⁷ (18000 Ops/h)	

线圈参数 Coil parameters

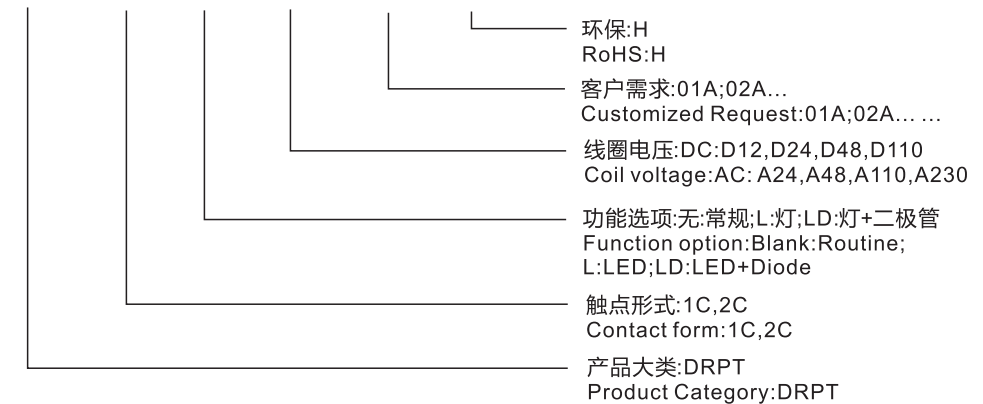
额定电压 Rated voltage (DC)	DC12V	DC24V	DC48V	DC110V
额定电阻 Rated resistance (±10%)	270Ω	1100Ω	4300Ω	22800Ω
额定电压 Rated voltage (AC)	AC24V	AC48V	AC110V	AC230V
额定电阻 Rated resistance (±10%)	240Ω	1085Ω	5500Ω	23000Ω
吸合电压 Operate voltage	DC: ≤75% (Rated voltage); AC: ≤80% (Rated voltage)			
释放电压 Release voltage	DC: ≥10% (Rated voltage); AC: ≥30% (Rated voltage)			
最大工作电压 Max input voltage	110% (Rated voltage)			
线圈功耗 Coil power	0.53W/1.0VA			
吸合时间 Operate time	<20ms			
释放时间 Release time	<10ms			

通用参数 Universal parameters

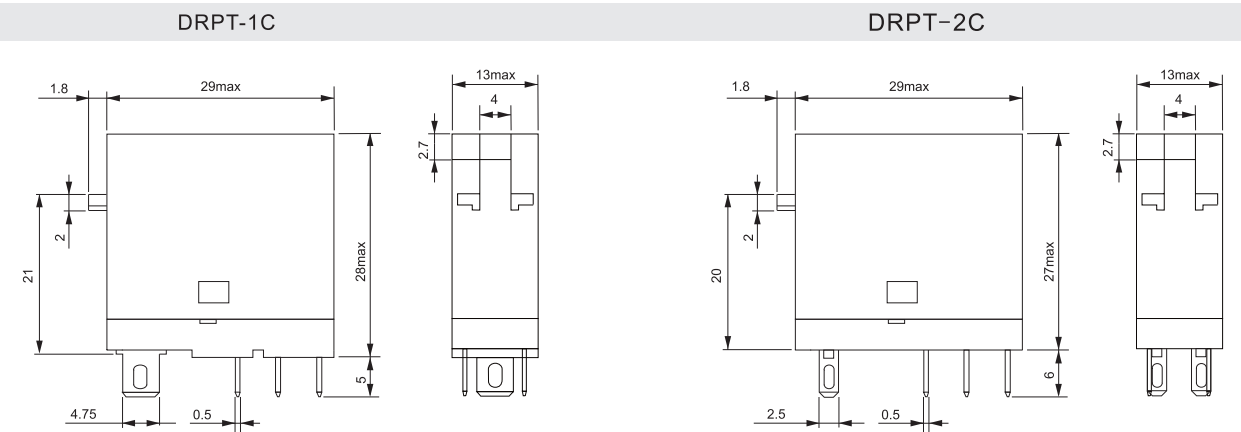
绝缘电阻 Insulation resistance	1000MΩ (500VDC)
介电耐压 Dielectric voltage	
同极触点间 Between contacts	1000VAC/1min
异极触点间 Between contacts (different pole)	1000VAC/1min
线圈触点间 Between contacts and coil	5000VAC/1min
耐冲击 Shock withstanding	10G (Half sine wave pulse 11ms)
耐振动 Vibration withstanding	10-55Hz (Double amplitude 1.0mm)
环境温度 Ambient temperature	-40...+55°C
环境湿度 Ambient humidity	35%~85%RH
重量 Weight	18g
配套插座 Matching socket	1C: DSRT05A series; 2C: DSRT08A series

型号订购 Model order

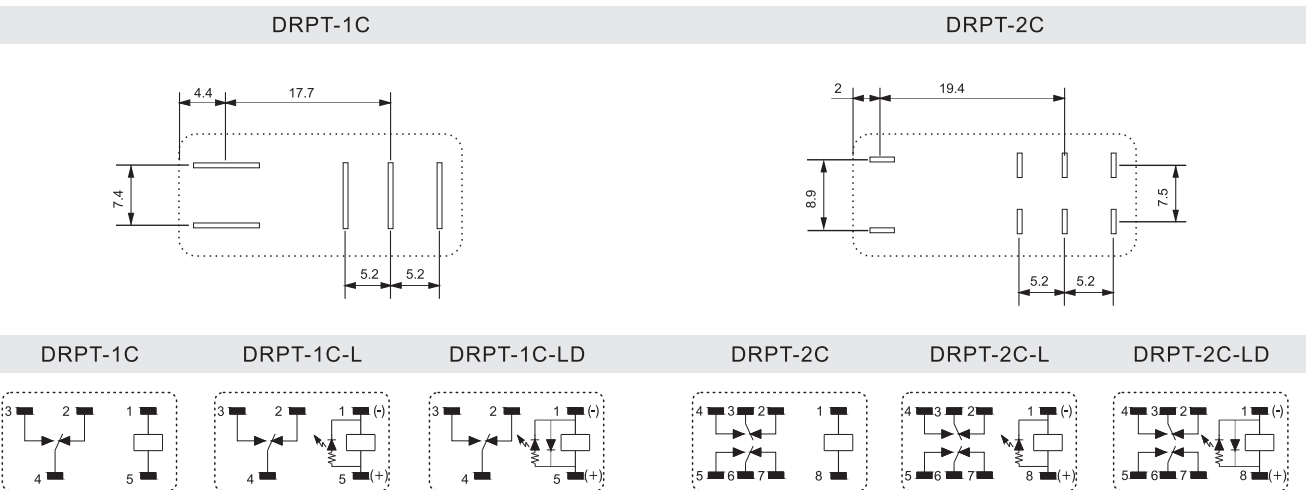
DRPT-2C-L-D24-XXA(H)



外形尺寸图 Overall dimensions



脚位图、接线图 Installation diagrams, Wiring diagrams





DRPC-1C



DRPC-2C



- 体积小、1C:10A, 2C:5A切换功率
- 配有多种插座可供选择
- 环保产品 RoHS REACH
- Small size, 1C:10A, 2C:5A switching power
- Multiple sockets optional
- Green product RoHS REACH

性能参数 Performance parameters

触点参数 Contact parameters

触点形式 Contact form	1C, 2C	
触点材料 Contact material	AgN, AgSnO	
阻性负载 Resistive load	1C: 10A@240VAC/28VDC	2C: 5A@240VAC/28VDC
马达负载 Motor load	1C: 1/3HP@240VAC	2C: 1/6HP@240VAC
切换功率 Switch power	1C: 2400VA, 280W	2C: 1200VA, 140W
接触电阻 (初始) Contact resistance (Initial)	<100mΩ	
电气寿命 (1s通/1s断) Electrical life (1s on/1s off)	>1x10 ⁵ (1800 Ops/h)	
机械寿命 (300次/分钟) Mechanical life (300 cycles/min)	>1x10 ⁷ (18000 Ops/h)	

线圈参数 Coil parameters

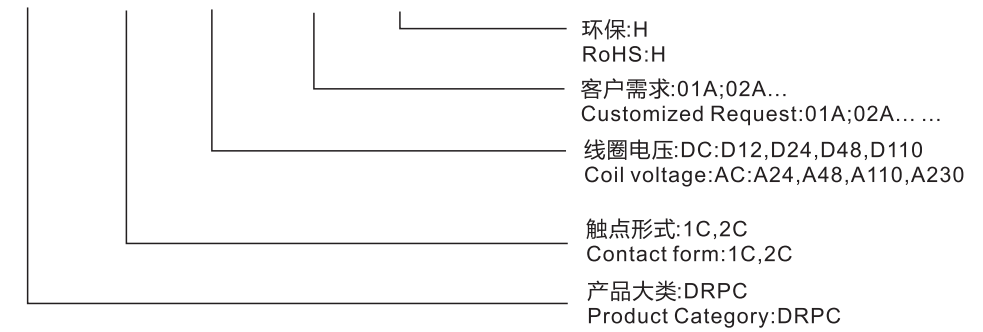
额定电压 Rated voltage (DC)	DC12V	DC24V	DC48V	DC110V
额定电阻 Rated resistance (±10%)	272Ω	1087Ω	4347Ω	22830Ω
额定电压 Rated voltage (AC)	AC24V	AC48V	AC110V	AC230V
额定电阻 Rated resistance (±10%)	253Ω	1014Ω	5324Ω	23276Ω
吸合电压 Operate voltage	DC: ≤75% (Rated voltage); AC: ≤80% (Rated voltage)			
释放电压 Release voltage	DC: ≥10% (Rated voltage); AC: ≥30% (Rated voltage)			
最大工作电压 Max input voltage	110% (Rated voltage)			
线圈功耗 Coil power	0.53W/1.0VA			
吸合时间 Operate time	<20ms			
释放时间 Release time	<10ms			

通用参数 Universal parameters

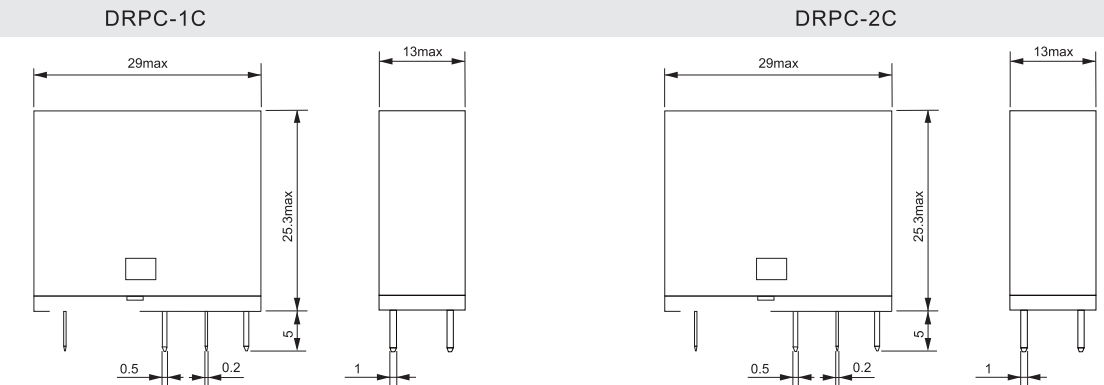
绝缘电阻 Insulation resistance	100MΩ (500VDC)
介电耐压 Dielectric voltage	
同极触点间 Between contacts	1200VAC/1min
异极触点间 Between contacts (different pole)	1200VAC/1min
线圈触点间 Between contacts and coil	5000VAC/1min
耐冲击 Shock withstanding	10G (Half sine wave pulse 11ms)
耐振动 Vibration withstanding	10-55Hz (Double amplitude 1.0mm)
环境温度 Ambient temperature	-25...+55°C
环境湿度 Ambient humidity	35%~80%RH
重量 Weight	17g
配套插座 Matching socket	1C: DSRC05A series; 2C: DSRC08A series

型号订购 Model order

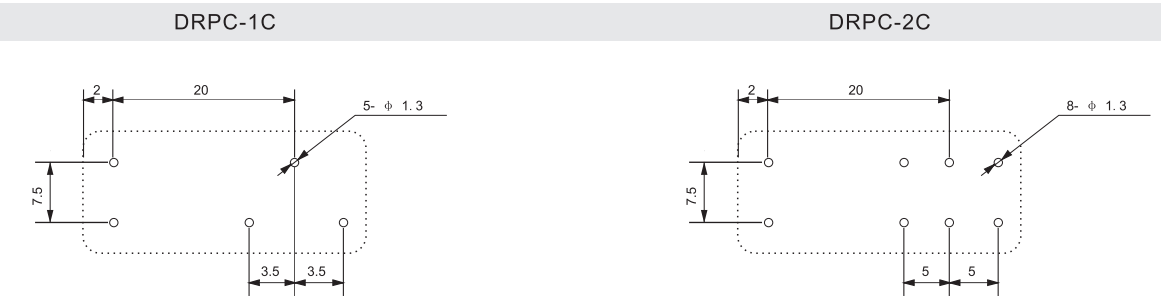
DRPC - 2C - D24 - XXA (H)



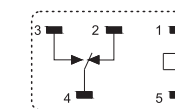
外形尺寸图 Overall dimensions



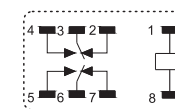
脚位图、接线图 Installation diagrams, Wiring diagrams



DRPC-1C



DRPC-2C





DRPB



- 体积小、1C:16A, 2C:8A切换功率
- 配有多种插座可供选择
- 环保产品 RoHS REACH
- Small size, 1C:16A, 2C:8A switching power
- Multiple sockets optional
- Green product RoHS REACH

性能参数 Performance parameters

触点参数 Contact parameters

触点形式 Contact form	1C, 2C	
触点材料 Contact material	AgCdO, AgSnO	
阻性负载 Resistive load	1C: 16A@250VAC/30VDC	2C: 8A@250VAC/30VDC
马达负载 Motor load	1C: 1/3HP@240VAC	2C: 1/6HP@240VAC
切换功率 Switch power	1C: 4000VA, 480W	2C: 2000VA, 240W
接触电阻 (初始) Contact resistance (Initial)	<100mΩ	
电气寿命 (1s通/1s断) Electrical life (1s on/1s off)	>1x10 ⁵ (1800 Ops/h)	
机械寿命 (300次/分钟) Mechanical life (300 cycles/min)	>1x10 ⁷ (18000 Ops/h)	

线圈参数 Coil parameters

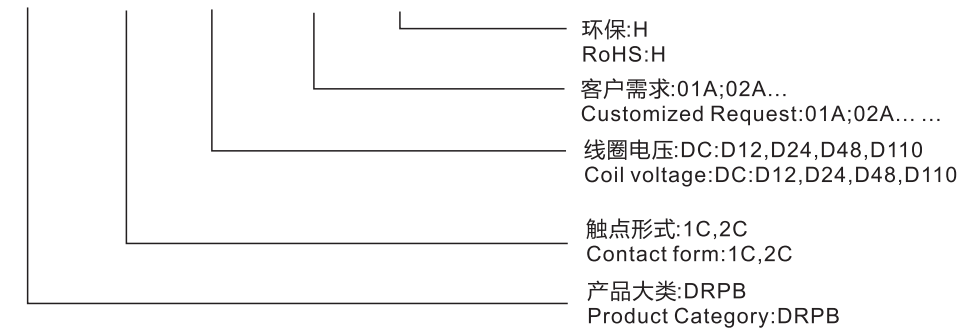
额定电压 Rated voltage (DC)	DC12V	DC24V	DC48V	DC110V
额定电阻 Rated resistance (±10%)	270Ω	1087Ω	4347Ω	27170Ω
吸合电压 Operate voltage	DC: ≤75% (Rated voltage)			
释放电压 Release voltage	DC: ≥10% (Rated voltage)			
最大工作电压 Max input voltage	110% (Rated voltage)			
线圈功耗 Coil power	0.53W			
吸合时间 Operate time	<20ms			
释放时间 Release time	<10ms			

通用参数 Universal parameters

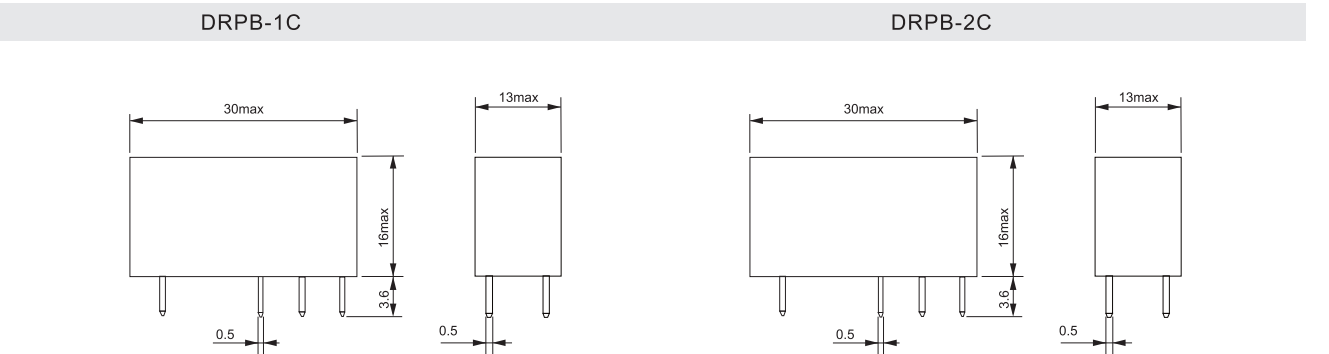
绝缘电阻 Insulation resistance	1000MΩ (500VDC)
介质耐压 Dielectric voltage	
同极触点间 Between contacts	1000VAC/1min
异极触点间 Between contacts (different pole)	2500VAC/1min
线圈触点间 Between contacts and coil	5000VAC/1min
耐冲击 Shock withstanding	10G (Half sine wave pulse 11ms)
耐振动 Vibration withstanding	10-55Hz (Double amplitude 1.0mm)
环境温度 Ambient temperature	-25...+55°C
环境湿度 Ambient humidity	35%~80%RH
重量 Weight	17g
配套插座 Matching socket	1C: DSRC05A series; 2C: DSRC08A series

型号订购 Model order

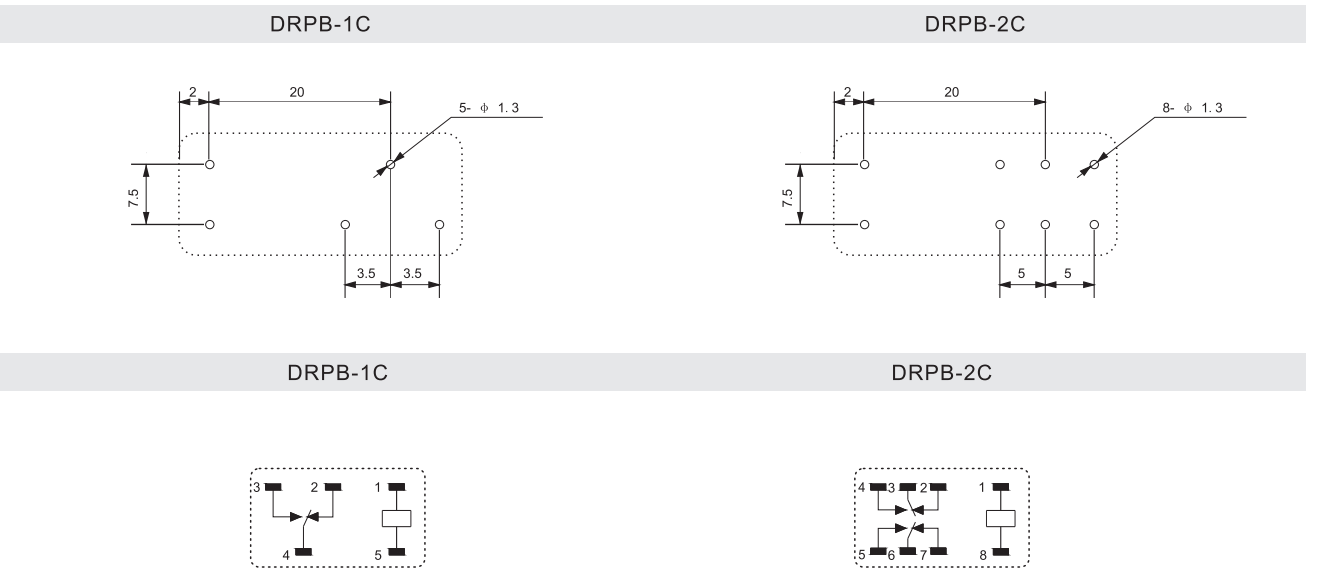
DRPB - 2C - D24 - XXA (H)



外形尺寸图 Overall dimensions



脚位图、接线图 Installation diagrams, Wiring diagrams





- 2C:10A, 3C:10A切换功率
- 负载电压大
- 环保产品 RoHS REACH
- 2C:10A,3C:10A switching power
- Large load voltage
- Green product RoHS REACH

性能参数 Performance parameters

触点参数 Contact parameters

触点形式 Contact form	2C, 3C
触点材料 Contact material	AgNi, AgSnO
阻性负载 Resistive load	10A@250VAC/30VDC
马达负载 Motor load	
切换功率 Switch power	2500VA, 300W
接触电阻 (初始) Contact resistance (Initial)	<50mΩ
电气寿命 (1s通/1s断) Electrical life (1s on/1s off)	>1x10 ⁵ (1800 Ops/h)
机械寿命 (300次/分钟) Mechanical life (300cycles/min)	>1x10 ⁷ (18000 Ops/h)

线圈参数 Coil parameters

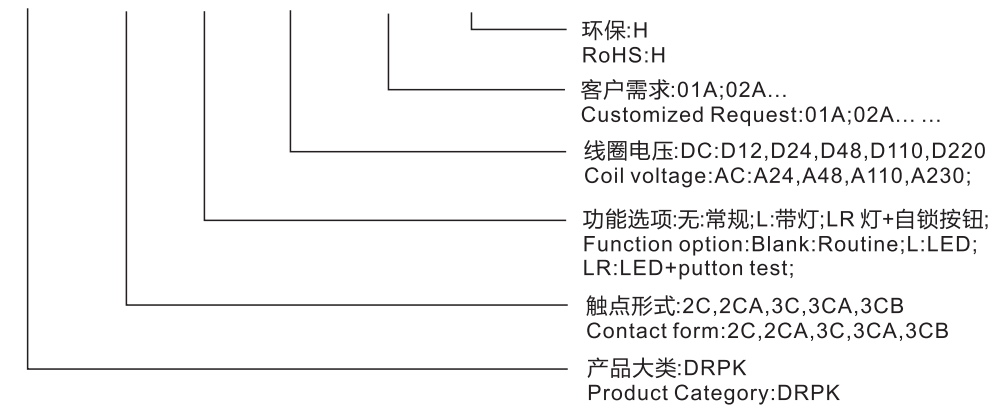
额定电压 Rated voltage (DC)	DC12V	DC24V	DC48V	DC110V	DC220V
额定电阻 Rated resistance (±10%)	96Ω	430Ω	1640Ω	7360Ω	29500Ω
额定电压 Rated voltage (AC)	AC24V	AC48V	AC110V	AC230V	
额定电阻 Rated resistance (±10%)	62.5Ω	305Ω	1512Ω	5900Ω	
吸合电压 Operate voltage	DC: ≤80% (Rated voltage)				
释放电压 Release voltage	DC: ≥10% (Rated voltage); AC: ≥30% (Rated voltage)				
最大工作电压 Max input voltage	110% (Rated voltage)				
线圈功耗 Coil power	1.5W/2.7VA				
吸合时间 Operate time	<30ms				
释放时间 Release time	<20ms				

通用参数 Universal parameters

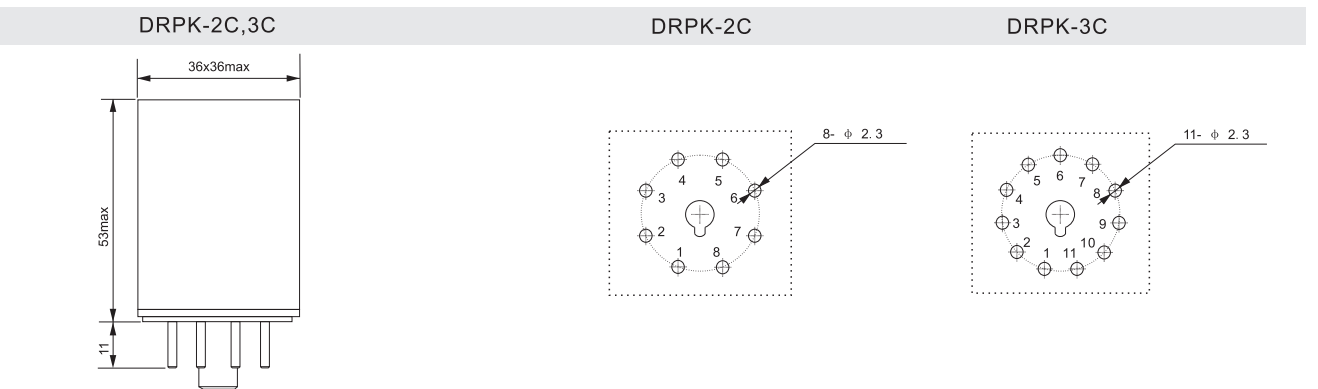
绝缘电阻 Insulation resistance	100MΩ (500VDC)
介质耐压 Dielectric voltage	
同极触点间 Between contacts	1000VAC/1min
异极触点间 Between contacts (different pole)	2500VAC/1min
线圈触点间 Between contacts and coil	2500VAC/1min
耐冲击 Shock withstanding	10G (Half sine wave pulse 11ms)
耐振动 Vibration withstanding	10-55Hz (Double amplitude 1.0mm)
环境温度 Ambient temperature	-10...+55°C
环境湿度 Ambient humidity	35%~85%RH
重量 Weight	85g
配套插座 Matching socket	2C:DPSK08A series; 3C:DPSK11A series

型号订购 Model order

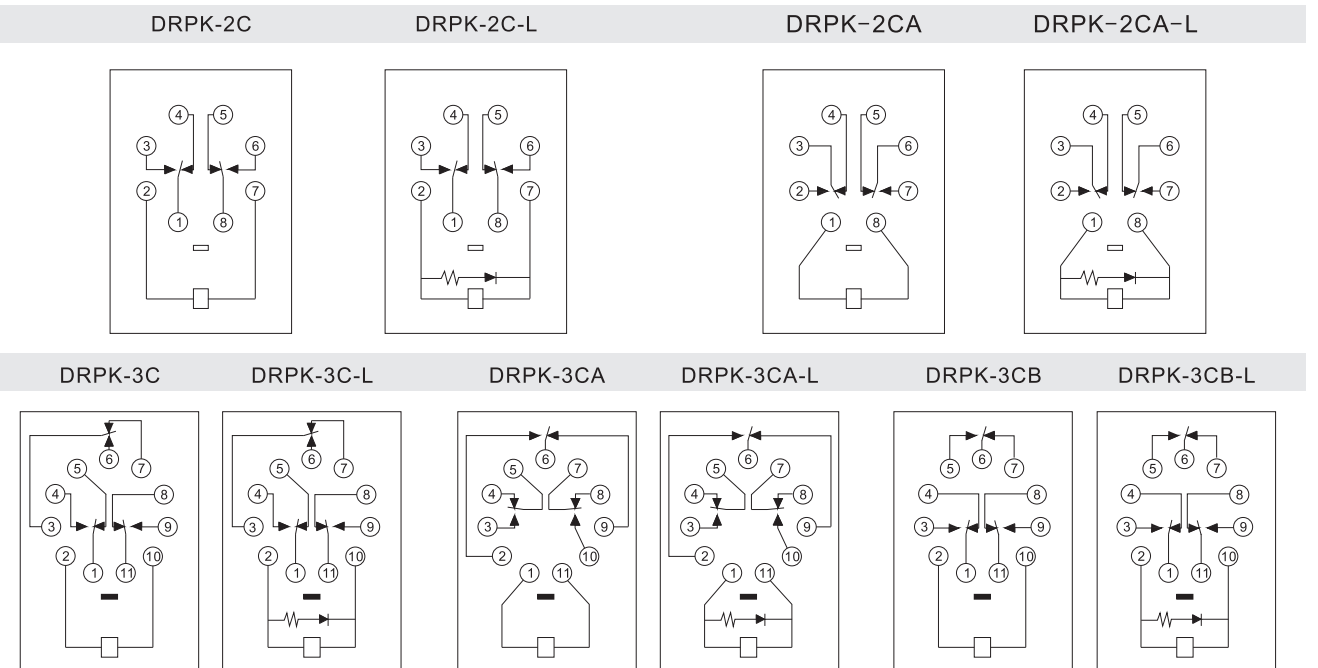
DRPK - 2C - L - D24 - XXA (H)



外形尺寸图,脚位图 Overall dimensions, Installation diagrams



脚位图、接线图 Installation diagrams, Wiring diagrams





DRPD-1C



DRPD-2C



- 体积小、1A:15A, 10A切换功率
- PCB式直接焊接
- 使用寿命长
- 环保产品 RoHS REACH
- Small size, 1A:15A, 10A switching power
- Directly soldered on PCB
- Long life
- Green product RoHS REACH

性能参数 Performance parameters

触点参数 Contact parameters

触点形式 Contact form	1A, 1B, 1C
触点材料 Contact material	AgNi, AgSnO
阻性负载 Resistive load	1A: 15A@240VAC/28VDC; 1B: 15A@120VAC/28VDC; 1C: 10A@240VAC/28VDC
马达负载 Motor load	
切换功率 Switch power	1A: 3600VA, 420W; 1B: 1800VA, 420W; 1C: 2400VA, 280W
接触电阻 (初始) Contact resistance (Initial)	<100mΩ
电气寿命 (1s通/1s断) Electrical life (1s on/1s off)	10A: >1x10 ⁵ (1800 Ops/h); 15A: >1x10 ⁵ (1200 Ops/h)
机械寿命 (300次/分钟) Mechanical life (300 cycles/min)	>1x10 ⁷ (18000 Ops/h)

线圈参数 Coil parameters

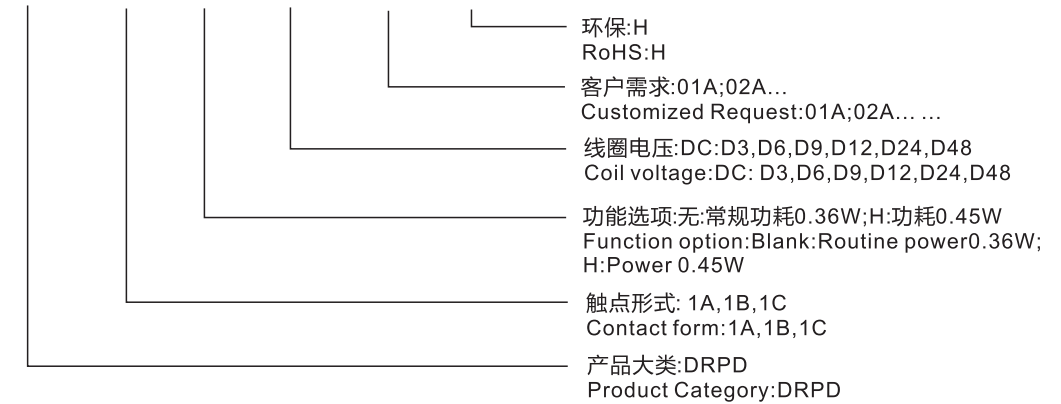
额定电压 Rated voltage (DC)	0.36W	DC3V	DC6V	DC9V	DC12V	DC24V	DC48V
额定电阻 Rated resistance (±10%)		25Ω	100Ω	225Ω	400Ω	1600Ω	6400Ω
额定电压 Rated voltage (AC)	0.45W	DC12V	DC24V				
额定电阻 Rated resistance (±10%)		320Ω	1280Ω				
吸合电压 Operate voltage		DC: ≤75% (Rated voltage)					
释放电压 Release voltage		DC: ≥10% (Rated voltage)					
最大工作电压 Max input voltage		110% (Rated voltage)					
线圈功耗 Coil power		0.36W/0.45W					
吸合时间 Operate time		<10ms					
释放时间 Release time		<5ms					

通用参数 Universal parameters

绝缘电阻 Insulation resistance	100MΩ (500VDC)
介质耐压 Dielectric voltage	
同极触点间 Between contacts	1200VAC/1min
异极触点间 Between contacts (different pole)	
线圈触点间 Between contacts and coil	1500VAC/1min
耐冲击 Shock withstanding	10G (Half sine wave pulse 11ms)
耐振动 Vibration withstanding	10-55Hz (Double amplitude 1.0mm)
环境温度 Ambient temperature	-55...+75°C
环境湿度 Ambient humidity	35%~80%RH
重量 Weight	12g
配套插座 Matching socket	

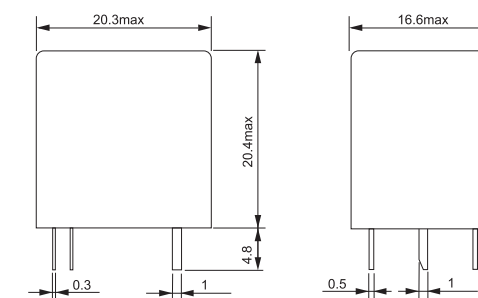
型号订购 Model order

DRPD-1C H-D24-XXA(H)



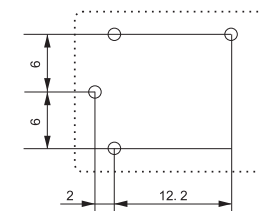
外形尺寸图 Overall dimensions

DRPD

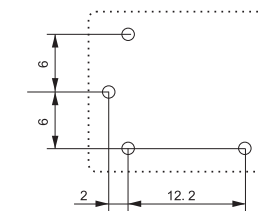


脚位图、接线图 Installation diagrams, Wiring diagrams

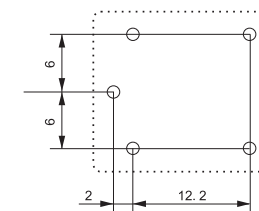
DRPD-1A



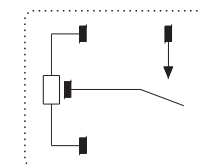
DRPD-1B



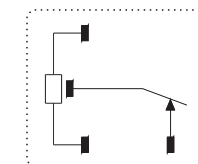
DRPD-1C



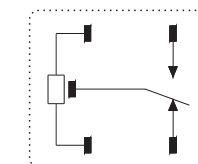
DRPD-1A



DRPD-1B

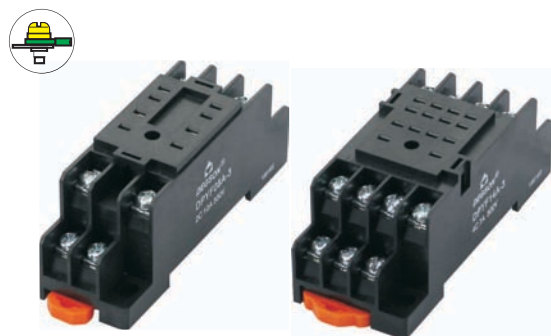


DRPD-1C





- 普通式插座、08A:10A, 14A:7A
- 环保产品 RoHS REACH
- General socket,08A:10A,14A:7A
- Green product RoHS REACH



DPYF08A-3

DRYF14A-3

DPYF 08A-3-XXA (H)

产品大类:DPYF
Product Category:DPYF
脚位数量:08A,14A
Pin Number:08A,14A
颜色:3:黑色
Colour:3:Black
客户需求:01A;02A...
Customized Request:01A;02A...
环保:H
RoHS:H

性能参数 Performance parameters

技术参数 Technical parameters

产品型号 Product type	DPYF08A-3	DPYF14A-3
额定电流 Rated current	10A	7A
额定电压 Rated voltage	300V	
线圈/触点介质耐压 Coil/Contact dielectric voltage	2000V/S	
触点间介质耐压 Dielectric voltage between contact	2000V/S	
螺钉扭矩 Screw torque	1.0Nm	
外连接导线 External connection wire	20-14/0.5-2.5AWG/mm ²	
环境温度 Ambient temperature	-40~+65°C	
重量 Weight	34g	56g

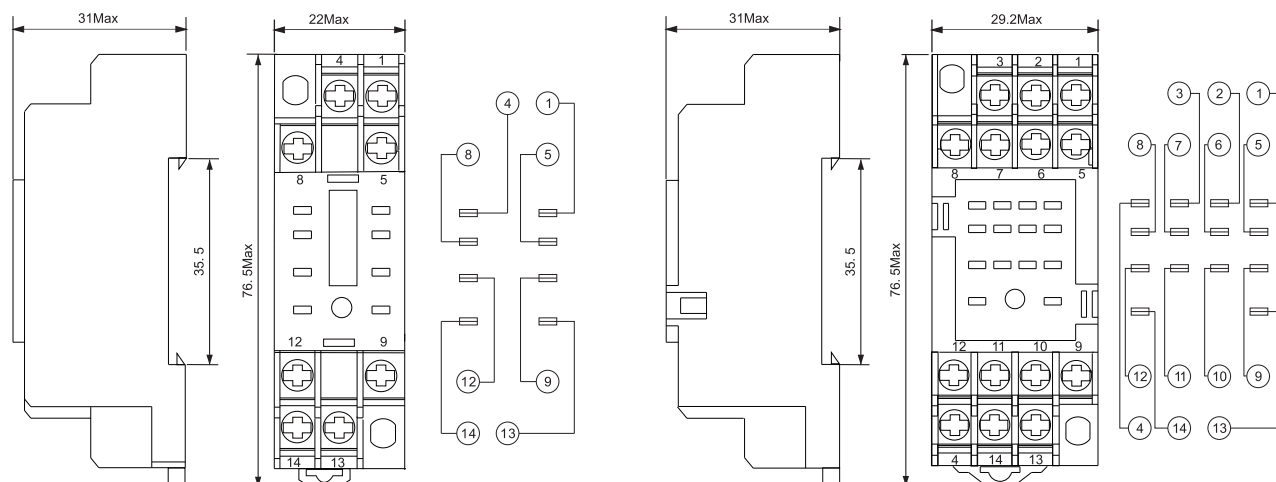
配套继电器及配件 Supporting relays and accessories

产品型号 Product type	继电器 Relay	模块 Module	塑料扳扣 Plastic pull clasp	金属卡簧 Metal clamp spring
DPYF08A-3	DRPY-2C,DRPE-2C,DRPM-2C			K-35A
DPYF14A-3	DRPY-4C,DRPE-4C,DRPM-4C			K-35A

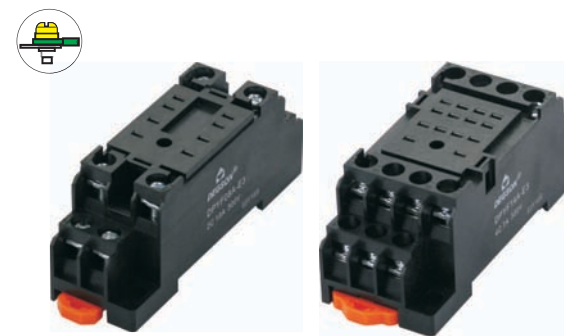
外形尺寸图、接线图 Overall dimensions, Wiring diagrams

DPYF08A-3

DPYF14A-3



- 防护式插座、08A:10A, 14A:7A
- 环保产品 RoHS REACH
- Protective socket,08A:10A,14A:7A
- Green product RoHS REACH



DPYF08A-E3

DRYF14A-E3

DPYF 08A-E 3-XXA (H)

产品大类:DPYF
Product Category:DPYF
脚位数量:08A,14A
Pin Number:08A,14A
保护方式:E:防护式
Protect way:E:Protective structure
颜色:3:黑色
Colour:3:Black
客户需求:01A;02A...
Customized Request:01A;02A...
环保:H
RoHS:H

性能参数 Performance parameters

技术参数 Technical parameters

产品型号 Product type	DPYF08A-E3	DPYF14A-E3
额定电流 Rated current	10A	7A
额定电压 Rated voltage	300V	
线圈/触点介质耐压 Coil/Contact dielectric voltage	2000V/S	
触点间介质耐压 Dielectric voltage between contact	2000V/S	
螺钉扭矩 Screw torque	1.0Nm	
外连接导线 External connection wire	20-14/0.5-2.5AWG/mm ²	
环境温度 Ambient temperature	-40~+65°C	
重量 Weight	34g	56g

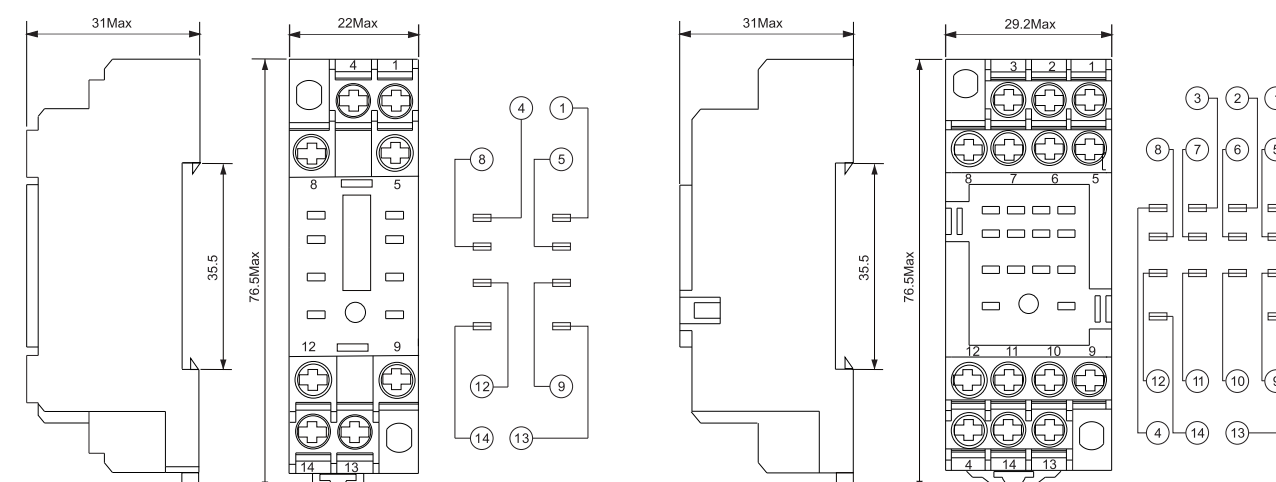
配套继电器及配件 Supporting relays and accessories

产品型号 Product type	继电器 Relay	模块 Module	塑料扳扣 Plastic pull clasp	金属卡簧 Metal clamp spring
DPYF08A-E3	DRPY-2C,DRPE-2C,DRPM-2C			K-35A
DPYF14A-E3	DRPY-4C,DRPE-4C,DRPM-4C			K-35A

外形尺寸图、接线图 Overall dimensions, Wiring diagrams

DPYF08A-E3

DPYF14A-E3





- 防护式插座、08A:12A, 14A:10A
- 环保产品 RoHS REACH
- Protective socket,08A:12A, 14A:10A
- Green product RoHS REACH



DPKF08A-E3 DRKF14A-E3

DPKF 08A-E 3-XXA (H)

产品大类:DPKF
Product Category:DPKF
脚位数量:08A,14A
Pin Number:08A,14A
保护方式:E:防护式
Protect way:E:Protective structure
颜色:3:黑色
Colour:3:Black
客户需求:01A;02A...
Customized Request:01A;02A...
环保:H
RoHS:H

性能参数 Performance parameters

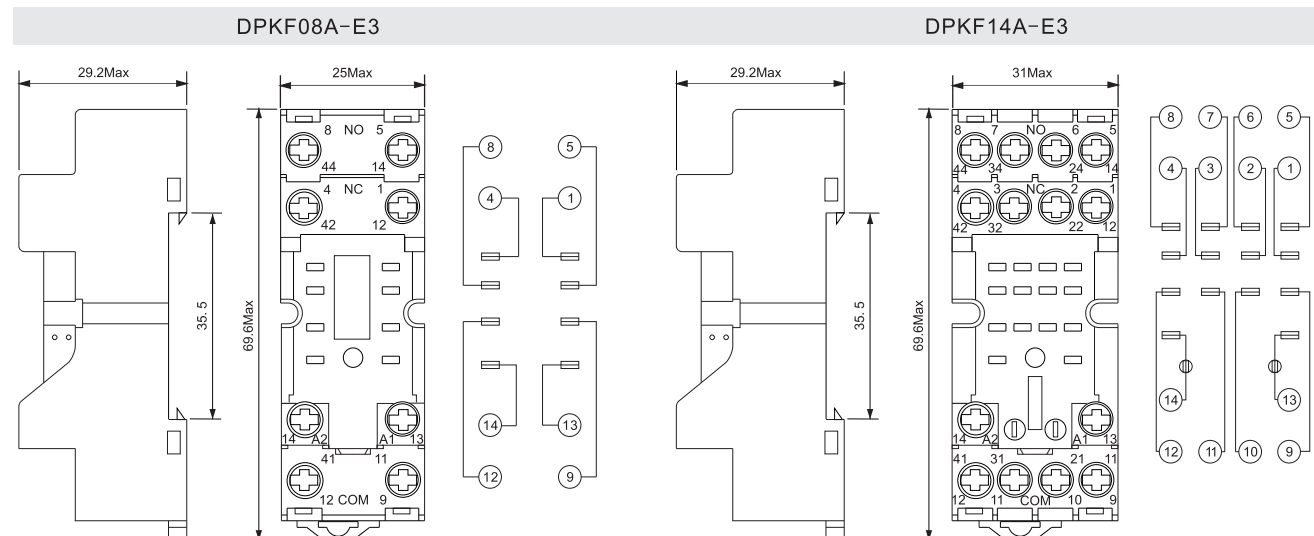
技术参数 Technical parameters

产品型号 Product type	DPKF08A-E3	DPKF14A-E3
额定电流 Rated current	12A	10A
额定电压 Rated voltage	300V	
线圈/触点介质耐压 Coil/Contact dielectric voltage	2500V/S	
触点间介质耐压 Dielectric voltage between contact	2500V/S	
螺钉扭矩 Screw torque	1.0Nm	
外连接导线 External connection wire	20-14/0.5-2.5AWG/mm ²	
环境温度 Ambient temperature	-40~+85°C	
重量 Weight	35g	45g

配套继电器及配件 Supporting relays and accessories

产品型号 Product type	继电器 Relay	模块 Module	塑料扳扣 Plastic pull clasp	金属卡簧 Metal clamp spring
DPKF08A-E3	DRPF-2C,DRPE-2CH			T-35A
DPKF14A-E3	DRPF-4C,DRPE-4CH	DMD		T-35A

外形尺寸图、接线图 Overall dimensions, Wiring diagrams



- 隔离式插座、08A:12A, 14A:10A
- 环保产品 RoHS REACH
- Separable structure socket,08A:12A, 14A:10A
- Green product RoHS REACH



DPKF08A-F3 DRKF14A-F3

DPKF 08A-F 3-XXA (H)

产品大类:DPKF
Product Category:DPKF
脚位数量:08A,14A
Pin Number:08A,14A
保护方式:F:隔离式
Protect way:F:Separable structure
颜色:3:黑色
Colour:3:Black
客户需求:01A;02A...
Customized Request:01A;02A...
环保:H
RoHS:H

性能参数 Performance parameters

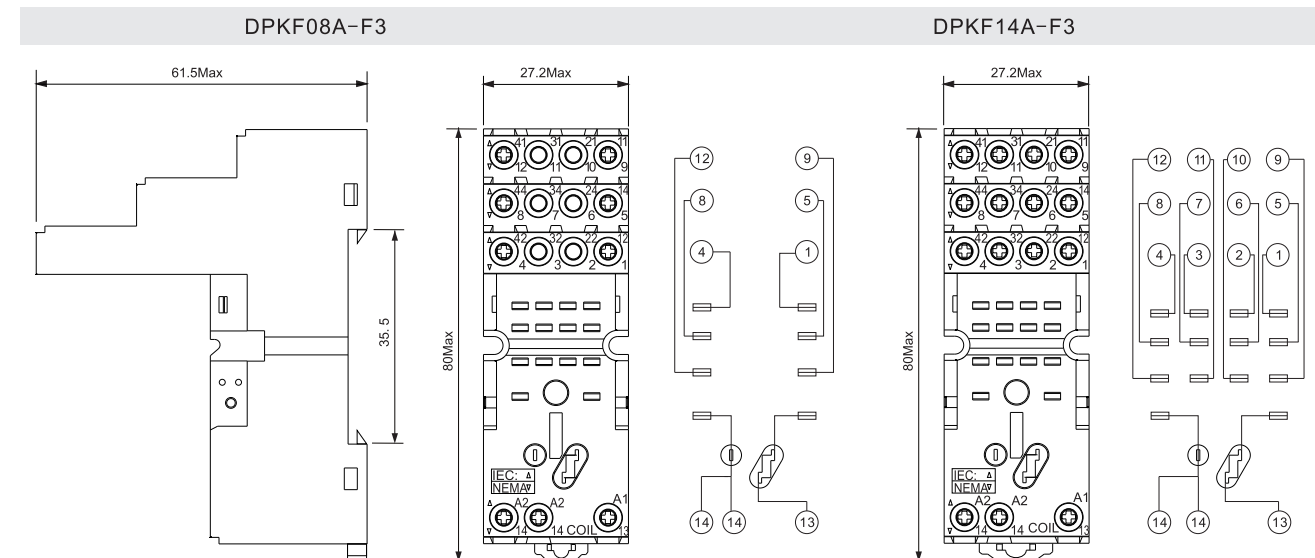
技术参数 Technical parameters

产品型号 Product type	DPKF08A-F3	DPKF14A-F3
额定电流 Rated current	12A	10A
额定电压 Rated voltage	300V	
线圈/触点介质耐压 Coil/Contact dielectric voltage	4000V/S	
触点间介质耐压 Dielectric voltage between contact	2500V/S	
螺钉扭矩 Screw torque	1.0Nm	
外连接导线 External connection wire	20-14/0.5-2.5AWG/mm ²	
环境温度 Ambient temperature	-40~+85°C	
重量 Weight	50g	62g

配套继电器及配件 Supporting relays and accessories

产品型号 Product type	继电器 Relay	模块 Module	塑料扳扣 Plastic pull clasp	金属卡簧 Metal clamp spring
DPKF08A-F3	DRPF-2C,DRPE-2CH	DMD	B-35A	
DPKF14A-F3	DRPF-4C,DRPE-4CH	DMD	B-35A	

外形尺寸图、接线图 Overall dimensions, Wiring diagrams





- 普通式插座、10A
- 环保产品 RoHS REACH
- General socket, 10A
- Green product RoHS REACH



DPTF08A2-3

DPTF14A2-3

DPTF 08A2-3-XXA (H)

产品大类:DPTF
Product Category:DPTF
脚位数量:08A2,11A2,14A2
Pin Number:08A2,11A2,14A2
颜色:3:黑色
Colour:3:Black
客户需求:01A;02A...
Customized Request:01A;02A...
环保:H
RoHS:H

性能参数 Performance parameters

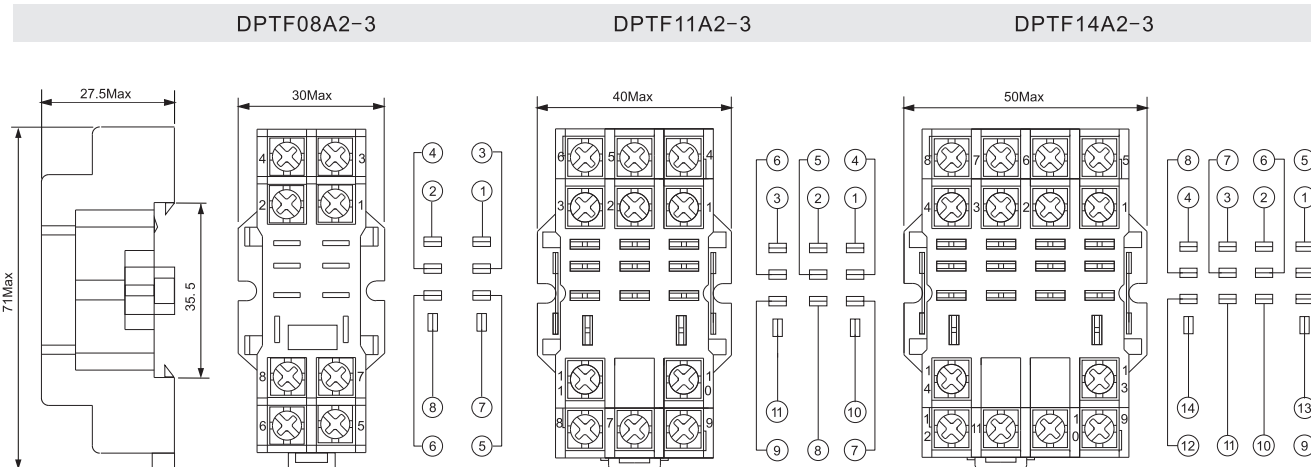
技术参数 Technical parameters

产品型号 Product type	DPTF08A2-3	DPTF11A2-3	DPTF14A2-3
额定电流 Rated current	10A		
额定电压 Rated voltage	300V		
线圈/触点介质耐压 Coil/Contact dielectric voltage	2000V/S		
触点间介质耐压 Dielectric voltage between contact	2000V/S		
螺钉扭矩 Screw torque	1.2Nm		
外连接导线 External connection wire	20-14/0.5-2.5AWG/mm ²		
环境温度 Ambient temperature	-40~+65℃		
重量 Weight	45g	61g	76g

配套继电器及配件 Supporting relays and accessories

产品型号 Product type	继电器 Relay	模块 Module	塑料扳扣 Plastic pull clasp	金属卡簧 Metal clamp spring
DPTF08A2-3	DRPL-1C,DRPL-2C			K-35B
DPTF11A2-3	DRPL-3C			K-35B
DPTF14A2-3	DRPL-4C			K-35B

外形尺寸图、接线图 Overall dimensions, Wiring diagrams



- 防护式插座、16A
- 环保产品 RoHS REACH
- Protective socket, 16A
- Green product RoHS REACH



DPTF08A-E3

DPTF14A-E3

DPTF 08A-E 3-XXA (H)

产品大类:DPTF
Product Category:DPTF
脚位数量:08A,11A,14A
Pin Number:08A,11A,14A
保护方式:E:防护式
Protect way:E:Protective structure
颜色:3:黑色
Colour:3:Black
客户需求:01A;02A...
Customized Request:01A;02A...
环保:H
RoHS:H

性能参数 Performance parameters

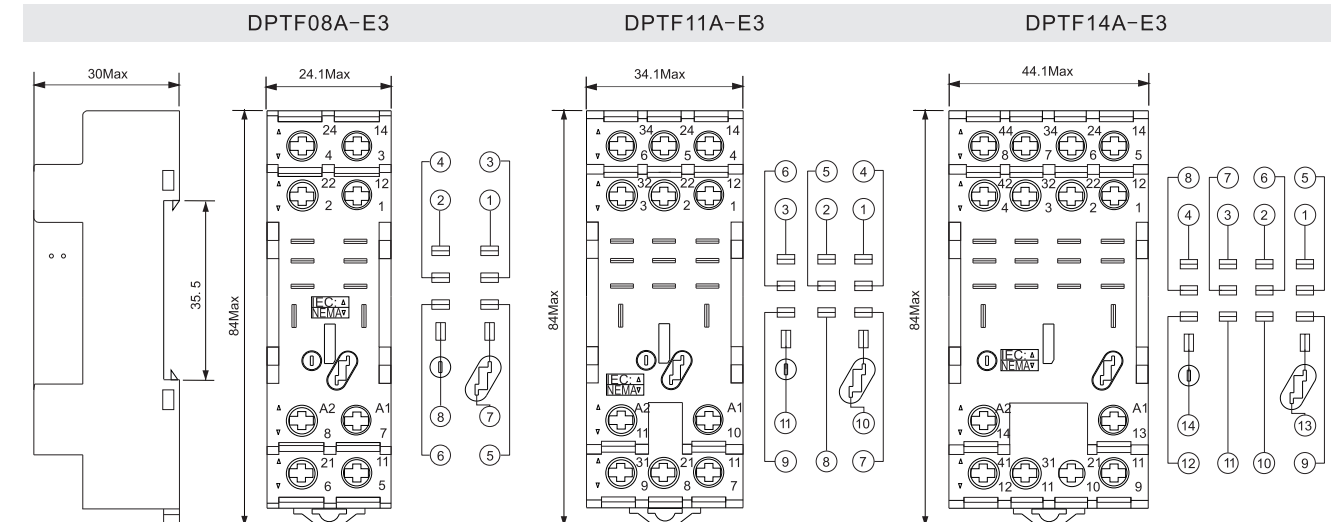
技术参数 Technical parameters

产品型号 Product type	DPTF08A-E3	DPTF11A-E3	DPTF14A-E3
额定电流 Rated current	16A		
额定电压 Rated voltage	300V		
线圈/触点介质耐压 Coil/Contact dielectric voltage	4000V/S		
触点间介质耐压 Dielectric voltage between contact	2500V/S		
螺钉扭矩 Screw torque	1.2Nm		
外连接导线 External connection wire	20-14/0.5-2.5AWG/mm ²		
环境温度 Ambient temperature	-40~+85℃		
重量 Weight	46g	62g	78g

配套继电器及配件 Supporting relays and accessories

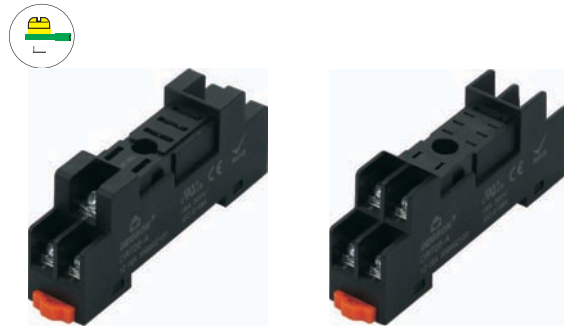
产品型号 Product type	继电器 Relay	模块 Module	塑料扳扣 Plastic pull clasp	金属卡簧 Metal clamp spring
DPTF08A-E3	DRPL-1C,DRPL-2C	DMD		T-35A
DPTF11A-E3	DRPL-3C	DMD		T-35B
DPTF14A-E3	DRPL-4C	DND		T-35C

外形尺寸图、接线图 Overall dimensions, Wiring diagrams





- 普通式插座、05A:16A, 08A:10A
- 环保产品 RoHS REACH
- General socket, 05A:16A, 08A:10A
- Green product RoHS REACH



DSRT05A-3

DSRT08A-3

DSRT 08A-3-XXA (H)

产品大类:DSRT
Product Category:DSRT
脚位数量:05A,08A
Pin Number:05A,08A
颜色:3:黑色
Colour:3:Black
客户需求:01A;02A...
Customized Request:01A;02A...
环保:H
RoHS:H

性能参数 Performance parameters

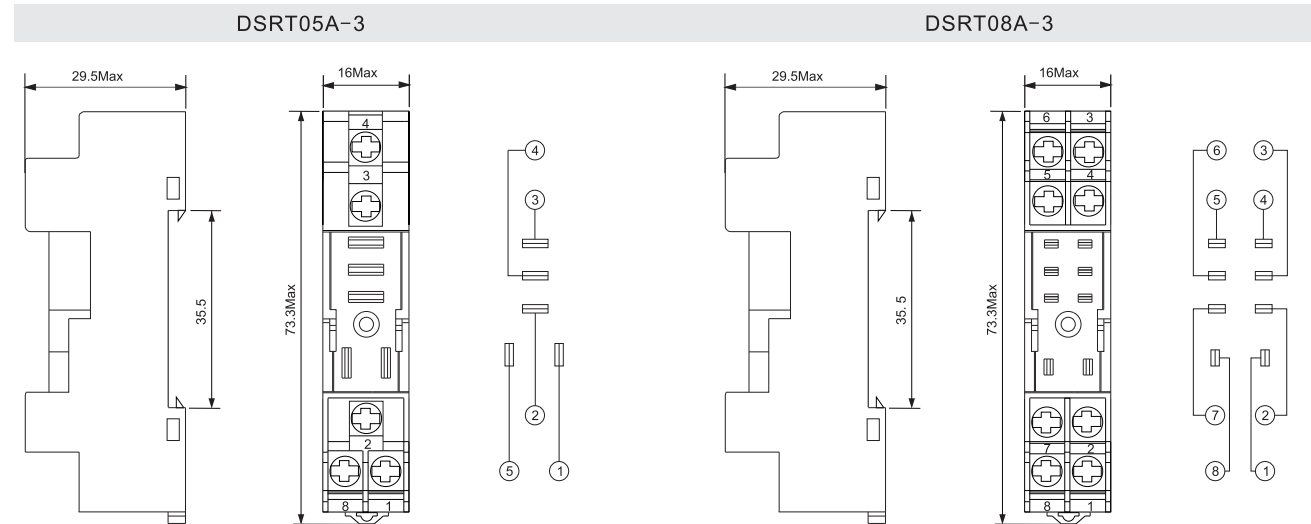
技术参数 Technical parameters

产品型号 Product type	DSRT05A-3	DSRT08A-3
额定电流 Rated current	16A	10A
额定电压 Rated voltage	300V	
线圈/触点介质耐压 Coil/Contact dielectric voltage	4000V/S	
触点间介质耐压 Dielectric voltage between contact	2500V/S	
螺钉扭矩 Screw torque	1.0Nm	
外连接导线 External connection wire	20-14/0.5-2.5AWG/mm ²	
环境温度 Ambient temperature	-45~+85°C	
重量 Weight	22g	27g

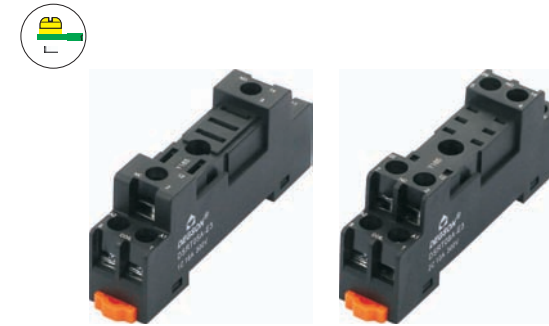
配套继电器及配件 Supporting relays and accessories

产品型号 Product type	继电器 Relay	模块 Module	塑料扳扣 Plastic pull clasp	金属卡簧 Metal clamp spring
DSRT05A-3	DRPT-1C		B-20C	
DSRT08A-3	DRPT-2C		B-20C	

外形尺寸图、接线图 Overall dimensions, Wiring diagrams



- 防护式插座、05A:16A, 08A:10A
- 环保产品 RoHS REACH
- Protective socket, 05A:16A, 08A:10A
- Green product RoHS REACH



DSRT05A-E3

DSRT08A-E3

DSRT 08A-E 3-XXA (H)

产品大类:DSRT
Product Category:DSRT
脚位数量:05A,08A
Pin Number:05A,08A
保护方式:E:防护式
Protect way:E:Protective structure
颜色:3:黑色
Colour:3:Black
客户需求:01A;02A...
Customized Request:01A;02A...
环保:H
RoHS:H

性能参数 Performance parameters

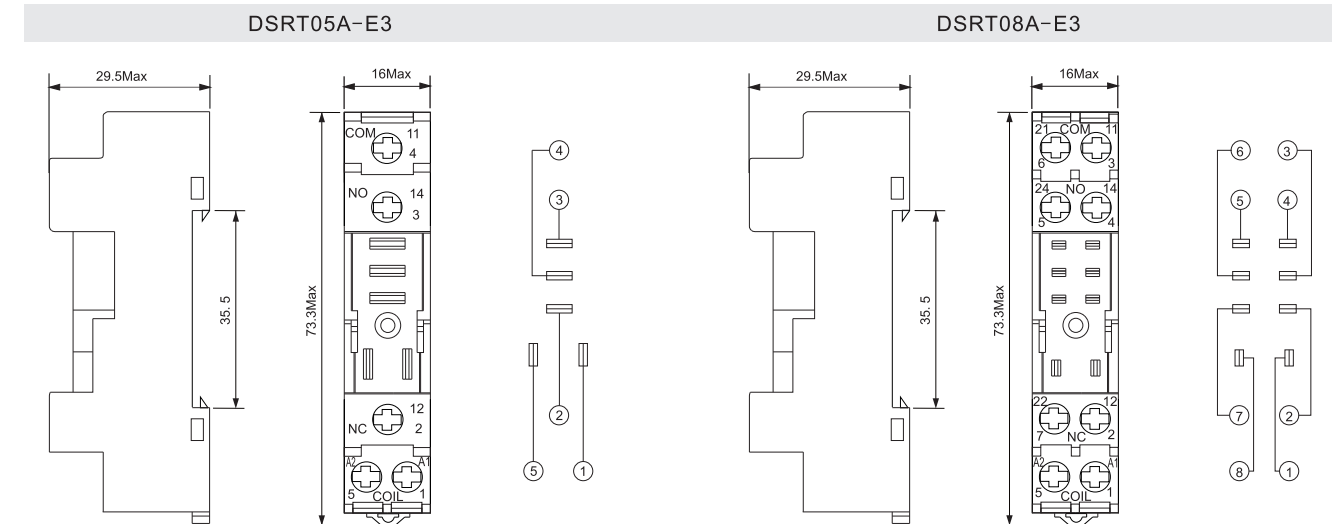
技术参数 Technical parameters

产品型号 Product type	DSRT05A-E3	DSRT08A-E3
额定电流 Rated current	16A	10A
额定电压 Rated voltage	300V	
线圈/触点介质耐压 Coil/Contact dielectric voltage	2000V/S	
触点间介质耐压 Dielectric voltage between contact	2000V/S	
螺钉扭矩 Screw torque	1.0Nm	
外连接导线 External connection wire	20-14/0.5-2.5AWG/mm ²	
环境温度 Ambient temperature	-40~+65°C	
重量 Weight	22g	27g

配套继电器及配件 Supporting relays and accessories

产品型号 Product type	继电器 Relay	模块 Module	塑料扳扣 Plastic pull clasp	金属卡簧 Metal clamp spring
DSRT05A-E3	DRPT-1C		B-20C	
DSRT08A-E3	DRPT-2C		B-20C	

外形尺寸图、接线图 Overall dimensions, Wiring diagrams





DSRT05A-F3

DSRT08A-F3

- 隔离式插座、05A:16A, 08A:10A
- 环保产品 RoHS REACH
- General socket, 05A:16A, 08A:10A
- Green product RoHS REACH

DSRT 08A-F 3-XXA (H)

产品大类: DSRT
Product Category: DSRT
脚位数量: 05A, 08A
Pin Number: 05A, 08A
保护方式: F: 隔离式
Protect way: F: Separable structure
颜色: 3: 黑色
Colour: 3: Black
客户需求: 01A, 02A...
Customized Request: 01A, 02A...
环保: H
RoHS: H

性能参数 Performance parameters

技术参数 Technical parameters

产品型号 Product type	DSRT05A-F3	DSRT08A-F3
额定电流 Rated current	16A	10A
额定电压 Rated voltage	300V	
线圈/触点介质耐压 Coil/Contact dielectric voltage	4000V/S	
触点间介质耐压 Dielectric voltage between contact	2500V/S	
螺钉扭矩 Screw torque	1.0Nm	
外连接导线 External connection wire	20-14/0.5-2.5AWG/mm ²	
环境温度 Ambient temperature	-45~+85°C	
重量 Weight	22g	27g

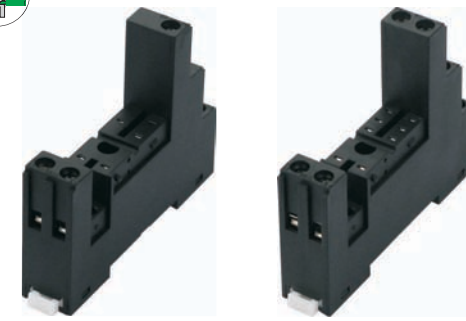
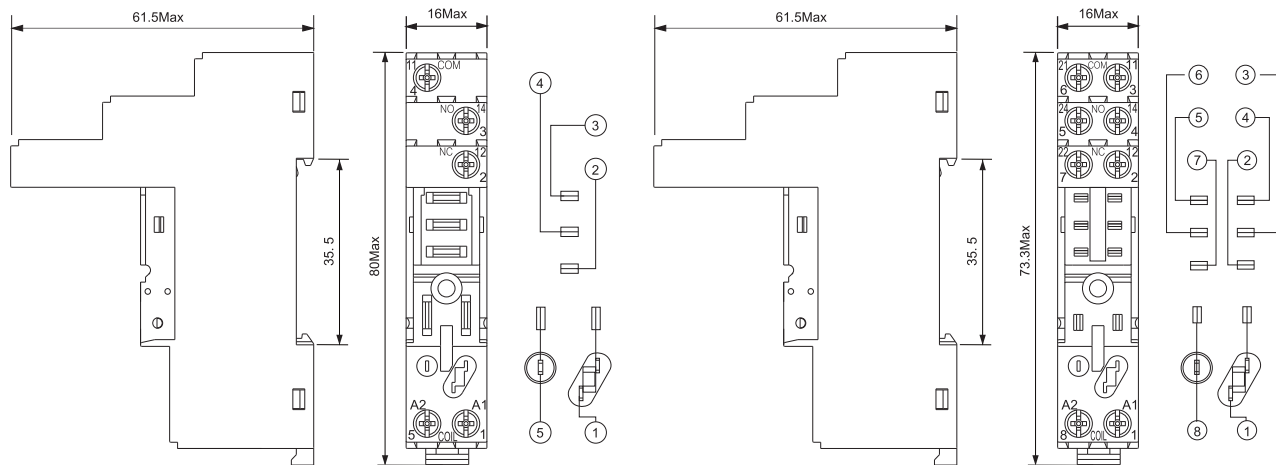
配套继电器及配件 Supporting relays and accessories

产品型号 Product type	继电器 Relay	模块 Module	塑料扳扣 Plastic pull clasp	金属卡簧 Metal clamp spring
DSRT05A-F3	DRPT-1C	DMD	B-20A	
DSRT08A-F3	DRPT-2C	DMD	B-20A	

外形尺寸图、接线图 Overall dimensions, Wiring diagrams

DSRT05A-3

DSRT08A-3



DSRC05A-F3

DSRC08A-F3

- 隔离式插座、05A:10A, 08A:7A
- 环保产品 RoHS REACH
- Separable socket, 05A:10A, 08A:7A
- Green product RoHS REACH

DSRC 08A-F 3-XXA (H)

产品大类: DSRC
Product Category: DSRC
脚位数量: 05A, 08A
Pin Number: 05A, 08A
保护方式: F: 隔离式
Protect way: F: Separable structure
颜色: 3: 黑色
Colour: 3: Black
客户需求: 01A, 02A...
Customized Request: 01A, 02A...
环保: H
RoHS: H

性能参数 Performance parameters

技术参数 Technical parameters

产品型号 Product type	DSRC05A-F3	DSRC08A-F3
额定电流 Rated current	10A	7A
额定电压 Rated voltage	300V	
线圈/触点介质耐压 Coil/Contact dielectric voltage	2500V/S	
触点间介质耐压 Dielectric voltage between contact	2500V/S	
螺钉扭矩 Screw torque	1.0Nm	
外连接导线 External connection wire	20-14/0.5-2.5AWG/mm ²	
环境温度 Ambient temperature	-40~+65°C	
重量 Weight	22g	27g

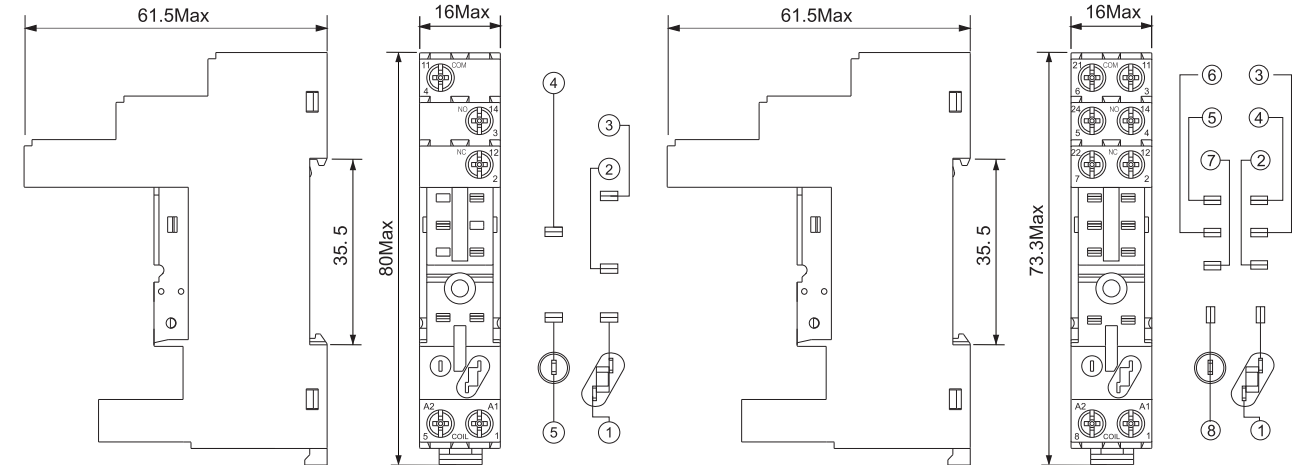
配套继电器及配件 Supporting relays and accessories

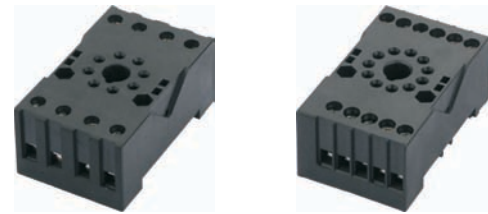
产品型号 Product type	继电器 Relay	模块 Module	塑料扳扣 Plastic pull clasp	金属卡簧 Metal clamp spring
DSRC05A-F3	DRPC-1C, DRPB-1C	DMD	B-20B	
DSRC08A-F3	DRPC-2C, DRPB-2C	DMD	B-20B	

外形尺寸图、接线图 Overall dimensions, Wiring diagrams

DSRC05A-F3

DSRC08A-F3





DPSK08A-E3

DPSK11A-E3



- 普通式插座、10A
- 环保产品 RoHS REACH
- General socket, 10A
- Green product RoHS REACH

DPSK 08A-E 3-XXA (H)

产品大类:DPSK
Product Category:DPSK
脚位数量:08A,11A
Pin Number:08A,11A
保护方式:E:防护式
Protect way:E:Protective structure
颜色:3:黑色
Colour:3:Black
客户需求:01A;02A...
Customized Request:01A;02A...
环保:H
RoHS:H

性能参数 Performance parameters

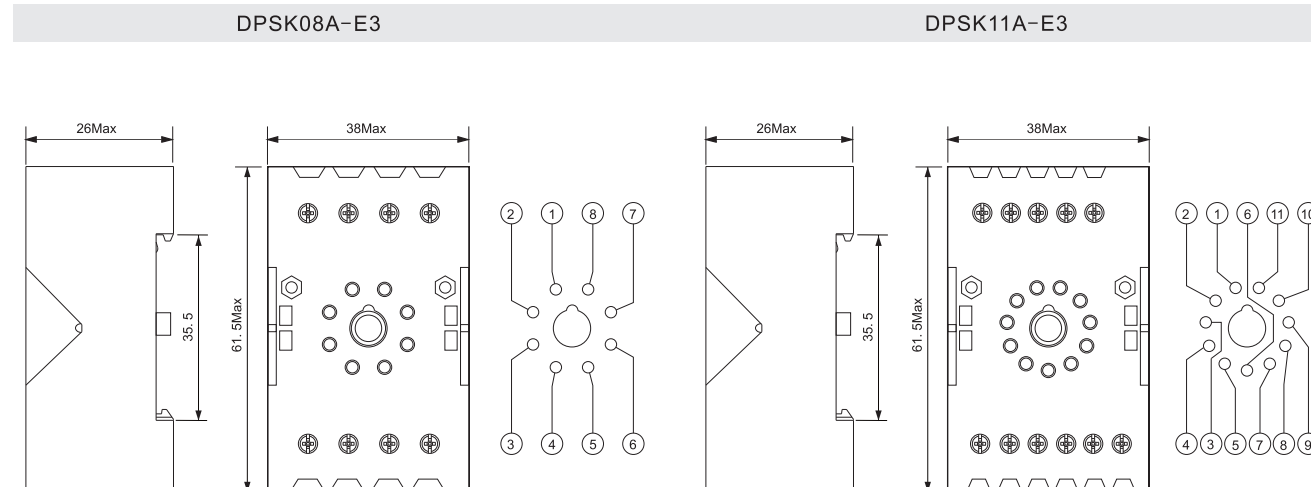
技术参数 Technical parameters

产品型号 Product type	DPSK08A-E3	DPSK11A-E3
额定电流 Rated current	10A	
额定电压 Rated voltage	300V	
线圈/触点介质耐压 Coil/Contact dielectric voltage	2000V/S	
触点间介质耐压 Dielectric voltage between contact	2000V/S	
螺钉扭矩 Screw torque	1.0Nm	
外连接导线 External connection wire	20-14/0.5-2.5AWG/mm ²	
环境温度 Ambient temperature	-45~+75°C	
重量 Weight	50g	56g

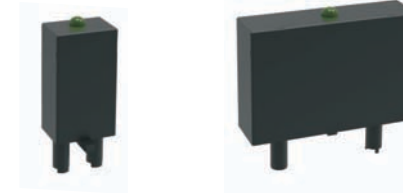
配套继电器及附件 Supporting relays and accessories

产品型号 Product type	继电器 Relay	模块 Module	塑料扳扣 Plastic pull clasp	金属卡簧 Metal clamp spring
DPSK08A-E3	DRPK-2C			T-50A
DPSK11A-E3	DRPK-3C			T-50A

外形尺寸图、接线图 Overall dimensions, Wiring diagrams

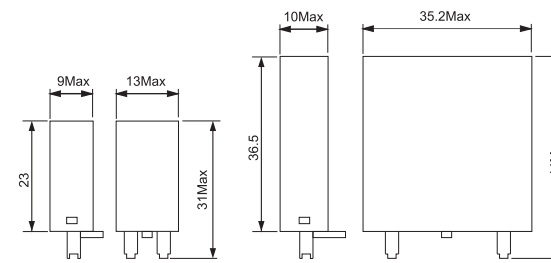


模块 Module :



DMD

DND



- 峰值电压抑制, 过压保护, 电压指示
- 环保产品 RoHS REACH
- Peak voltage inhibit, over voltage protection, voltage indicator
- Green product RoHS REACH

DMD-ML 1-D24-XXA (H)

产品大类:DMD,DND
Product Category:DMD,DND
功能选项:
L:灯;ML:压敏电阻+灯
LD:灯+二极管;M:压敏电阻
RC:阻容;D:二极管
Function option:
L:LED;ML:Varistor+LED
LD:LED+diode;M:Varistor
RC:Resistance capacity;D:diode
电流方向:无:A1-;1:A1+
Direction of current:Blank:A1-;1:A1+
电压:见下表对应
Voltage:See table corresponding
客户需求:01A;02A...
Customized Request:01A;02A...
环保:H
RoHS:H

功能 Function	L	D	LD	ML	M	RC	L1	D1	LD 1	ML 1
接线图 Wiring diagrams										
电压选项 Voltage option	6-24V 110-240V	6-250VDC	6-24VDC 110/240VDC	24V 120V 240V	24V 240V	6-24VDC 110/240VDC	6-24V 110-240V	6-250VDC	6-24VDC 110/240VDC	24V 120V 240V

插座附件 Socket accessories

名称Type	B-35A	B-20A	B-20B	B-20C	K-35A
简图 Diagram					
名称Type	T-50A	T-35A	T-35B	T-35C	K-35B
简图 Diagram					